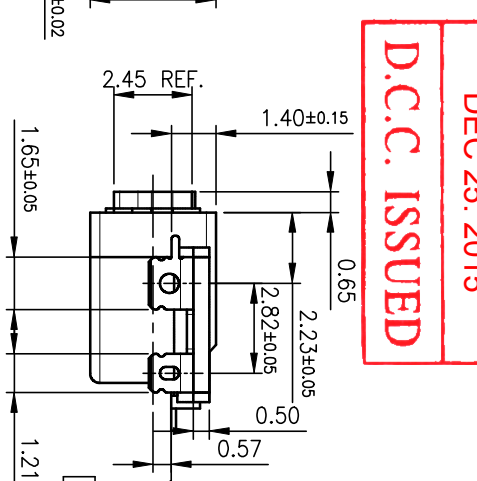
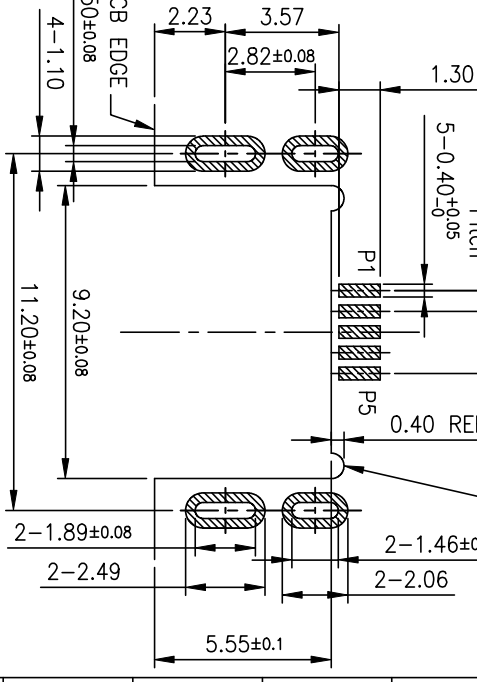


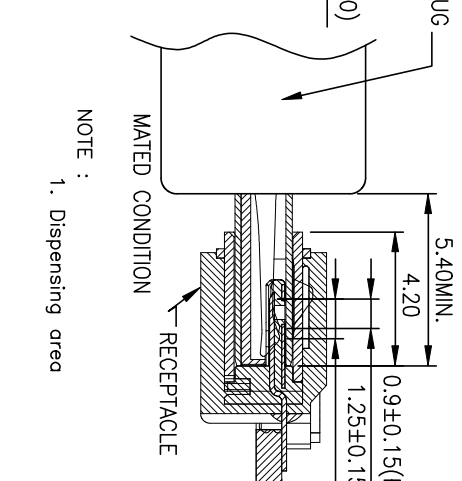
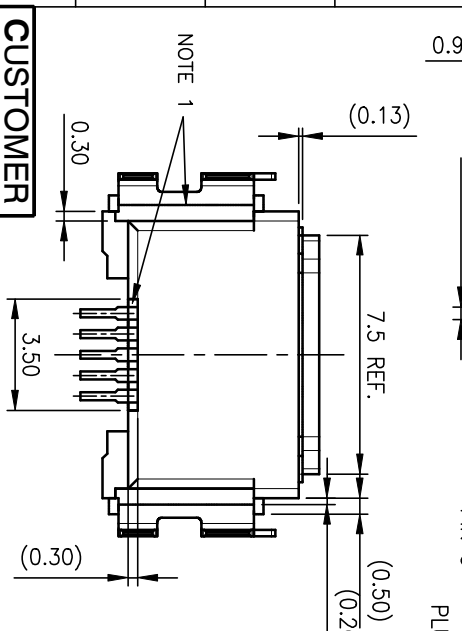
**Simula Technology Inc.**  
**DEC 25, 2015**  
**D.C.C. ISSUED**



Coplanarity 0.10 mm Max.  
 Include solder tails and stand off. (From Sitting Plane)



RECOMMENDED PCB LAYOUT  
 NOTE: TOLERANCE FOR PCB LAYOUT IS ±0.05mm



ITEM	DESCRIPTIONS	MATERIAL	FINISH	QTY	NOTE
①	HOUSING	PA-9T-GP2450	UL94V-0-BLACK	1	
②	SHELL	SUS304-1/2H,10.3	1u" min. Block Ni Overall.	1	
③	CONTACT	CS210-EH,10.15	Under Plating: Ni 50~100u" Overall.	5	
④	BRACKET	SUS304-1/2H,10.2	Sn 40u"~70u" Plating Overall Ni 50u"~100u" Under Plating Overall	1	
⑤	COVER	PA-9T-GP2450	UL94V-0-BLACK	1	
⑥	SUPPORT	SUS304-1/2H,10.10	1u" min. Block Ni Overall.	1	

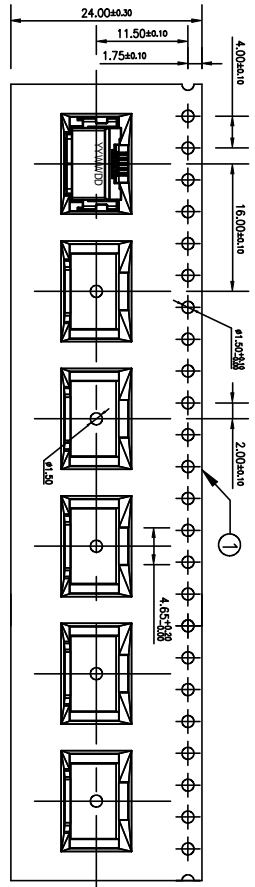
■ HALOGEN-FREE  
 ■ LEAD-FREE  
 UNLESS OTHERWISE SPECIFIED DIMENSION ARE IN MILLIMETERS FRACTION DECIMAL ANGLES  
 .X ± 0.3    .X ± 0.2    .X ± 0.2  
 .5°    .5°    .5°  
**SIMULA**  
 Superior Technology Solutions  
 APPROVALS: DRAWN: Jerry Tung DATE: 2012/11/27 TITLE: Waterproof Micro-B USB Receptacle With Support Connector  
 CHECKED: quail DATE: 2012/11/27  
 APPROVED: K.Lee DATE: 2012/11/27  
 CONFIDENTIAL  
 SCALE: 4:1 UNIT: MM SHEET: 1/2

REV. Δ	DCN. NO. PDR-12N068 DCN-1211044	ISSUED 2012/11/27 Jerry Tung
--------	------------------------------------	---------------------------------

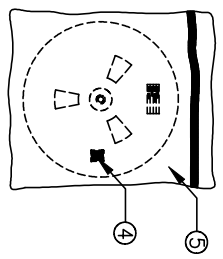
CUSTOMER

REV.	DCN. NO.	ISSUED
Δ	PDR-12N068 DCN-1211044	2012/11/27 Jerry Tung

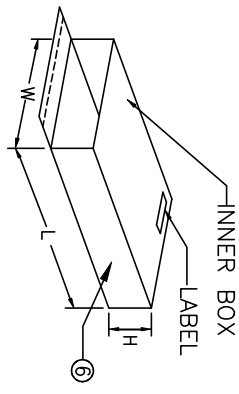
1. Tape Packing Status.



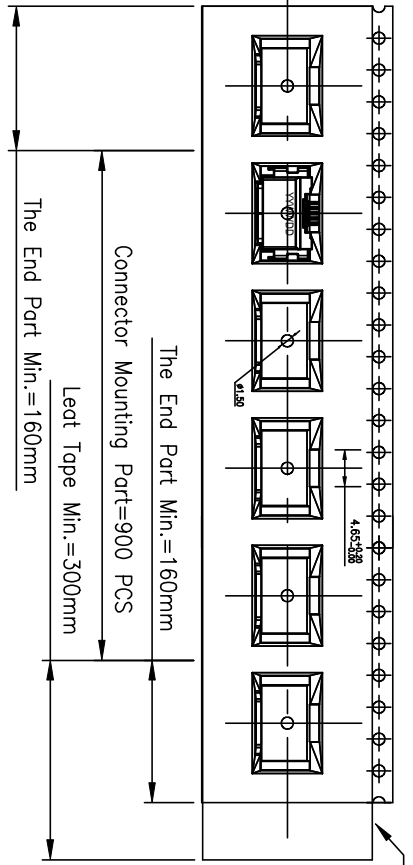
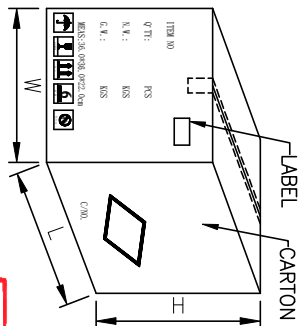
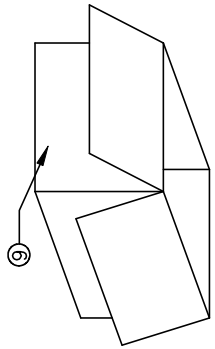
3. Seal Status.



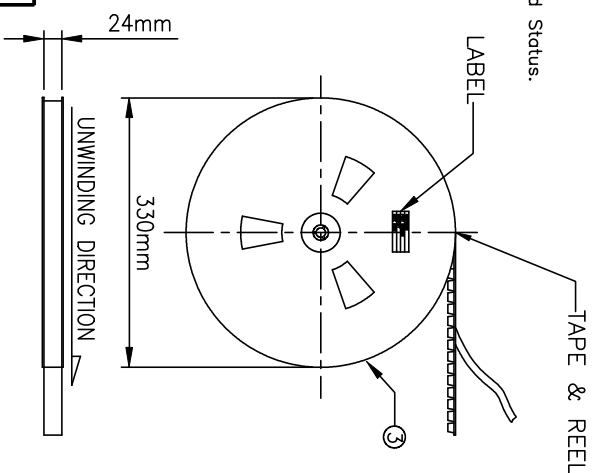
4. Packing Box Status.



5. Packing Carton Status.



2. Reel Packed Status.



1. MATERIAL :

REEL: PS  
CARRIER: PS  
COVER TAPE: PET

2. DIMENSION :

REEL SIZE:  
DIA=330.0mm, W=24.0mm  
INNER BOX:  
L=340mm, W=340mm H=65mm  
CARTON:  
L=360mm, W=360mm, H=220mm  
3. QUANTITY:  
900 PCS/REEL  
2 REEL/INNER BOX:1800PCS  
3 INNER BOX/CARTON:5400PCS  
N.W.: 2.5 Kg.  
G.W.: 6.2 Kg.

ITEM	DESCRIPTIONS	MATERIAL	FINISH	Q'TY	NOTE
⑦	CARTON	K=K		1	
⑥	INNER BOX	7+A		3	
⑤	PE BAG	PE		6	
④	DESICCANT			6	
③	REEL ASS'Y	PS		6	
②	COVER TAPE	PET		1	
①	CARRIER TAPE	PS		2	

**Simula Technology Inc.**  
**DEC 25, 2015**  
**D.C.C. ISSUED**

LEAD-FREE  
 HALOGEN-FREE

UNLESS OTHERWISE SPECIFIED  
 DIMENSION ARE IN MILLIMETER  
 TOLERANCE ARE :  
 FRACTION DECIMALS ANGLES

.X ± 0.3	.X ± 0.2	.X ± 0.1	.X ± 0.05
----------	----------	----------	-----------

**SIMULA**  
 Superior Technology Solution Provider

PART NO. WP812B-5180-412  
 TITLE Waterproof Micro-B USB PACKAGE  
 APPROVALS: DRAWN: Jerry Tung DATE: 2012/11/27  
 CHECKED: quoll DATE: 2012/11/27  
 APPROVED: K.Lee DATE: 2012/11/27

SCALE: 4:1 UNIT: MM SHEET: 2/2

CONFIDENTIAL

CUSTOMER