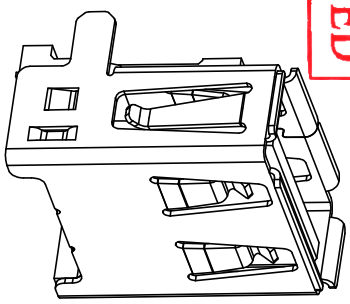
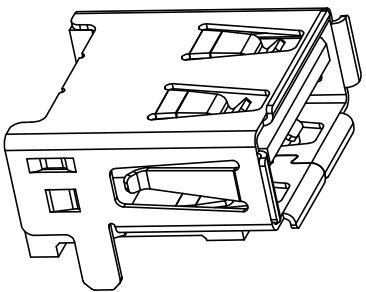
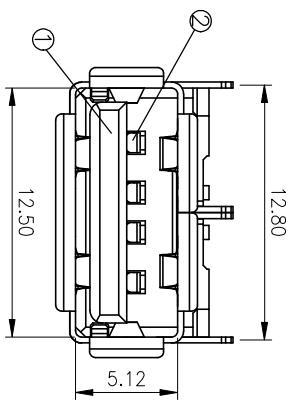


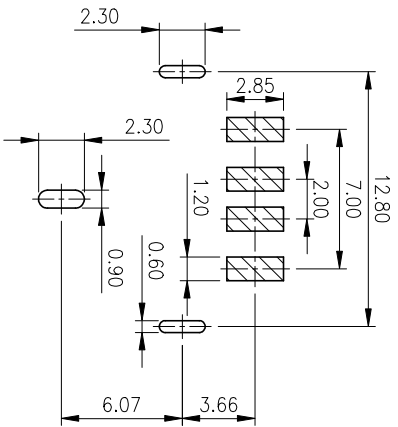
| REV. | ECN. NO.                  | ISSUED                   |
|------|---------------------------|--------------------------|
| △    | PDR-13N002<br>DCN-1304059 | 2013/04/30<br>Perry Chen |



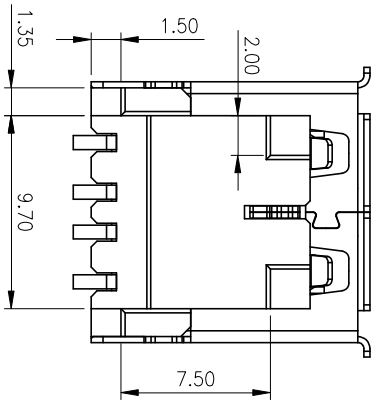
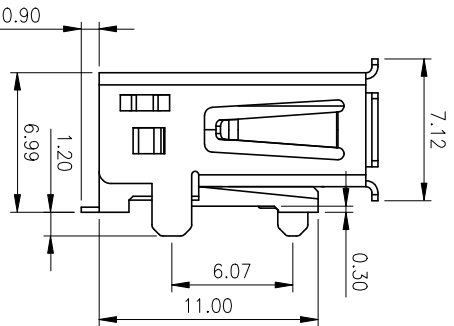
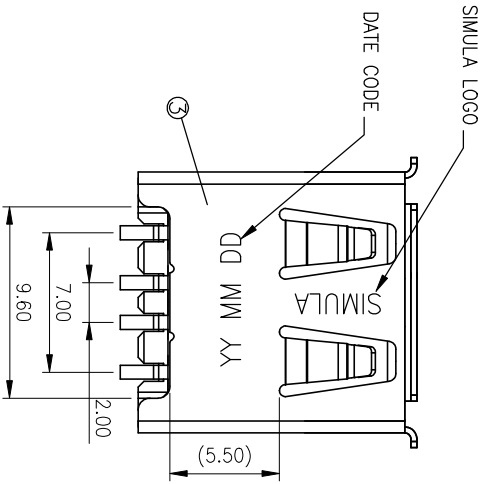
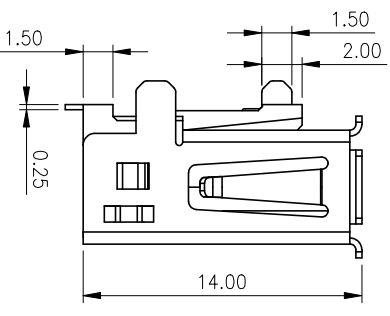
3D VIEW  
REFERENCE



3D VIEW  
REFERENCE

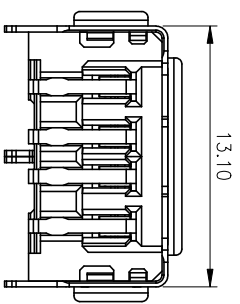


RECOMMENDED P.C.B LAYOUT <TOP VIEW>  
NOTE : TOLERANCE FOR PCB LAYOUT IS ± 0.05  
PCB THICKNESS 1.20mm



ORDER INFORMATION:

| PACKAGING | PART NO.:       |
|-----------|-----------------|
| N/A       | MJ822D-4080-022 |
| T/R       | MJ822D-4080-422 |



CUSTOMER

| ① SHELL GND CONTACT | BRASS   | Ni 80u" MIN.               | 1      | ---  |      |
|---------------------|---|----------------------------|--------|------|------|
| ② M1 CONTACT        | COPPER ALLOY  | Au 30u" MIN./In 150u" MIN. | 1      | ---  |      |
| ③ P1 HOUSING        | HIGH TEMP PLASTIC   |                            | 1      | ---  |      |
| ITEM                | DESCRIPTIONS  | MATERIAL                   | FINISH | Q'TY | NOTE |
| ④                   | UNLESS OTHERWISE SPECIFIED DIMENSION ARE IN MILLIMETERS TOLERANCE DECIMALS ANGLES |                            |        |      |      |
| ⑤                   | ④   |                            |        |      |      |
| ⑥                   | ④   |                            |        |      |      |
| ⑦                   | ④   |                            |        |      |      |
| ⑧                   | ④   |                            |        |      |      |
| ⑨                   | ④   |                            |        |      |      |
| ⑩                   | ④   |                            |        |      |      |
| ⑪                   | ④   |                            |        |      |      |
| ⑫                   | ④   |                            |        |      |      |
| ⑬                   | ④   |                            |        |      |      |
| ⑭                   | ④   |                            |        |      |      |
| ⑮                   | ④   |                            |        |      |      |
| ⑯                   | ④   |                            |        |      |      |
| ⑰                   | ④   |                            |        |      |      |
| ⑱                   | ④   |                            |        |      |      |
| ⑲                   | ④   |                            |        |      |      |
| ⑳                   | ④   |                            |        |      |      |
| ㉑                   | ④   |                            |        |      |      |
| ㉒                   | ④   |                            |        |      |      |
| ㉓                   | ④   |                            |        |      |      |
| ㉔                   | ④   |                            |        |      |      |
| ㉕                   | ④   |                            |        |      |      |
| ㉖                   | ④   |                            |        |      |      |
| ㉗                   | ④   |                            |        |      |      |
| ㉘                   | ④   |                            |        |      |      |
| ㉙                   | ④   |                            |        |      |      |
| ㉚                   | ④   |                            |        |      |      |
| ㉛                   | ④   |                            |        |      |      |
| ㉜                   | ④   |                            |        |      |      |
| ㉝                   | ④   |                            |        |      |      |
| ㉞                   | ④   |                            |        |      |      |
| ㉟                   | ④   |                            |        |      |      |
| ㊱                   | ④   |                            |        |      |      |
| ㊲                   | ④   |                            |        |      |      |
| ㊳                   | ④   |                            |        |      |      |
| ㊴                   | ④   |                            |        |      |      |
| ㊵                   | ④   |                            |        |      |      |
| ㊶                   | ④   |                            |        |      |      |
| ㊷                   | ④   |                            |        |      |      |
| ㊸                   | ④   |                            |        |      |      |
| ㊹                   | ④   |                            |        |      |      |
| ㊺                   | ④   |                            |        |      |      |
| ㊻                   | ④   |                            |        |      |      |
| ㊼                   | ④   |                            |        |      |      |
| ㊽                   | ④   |                            |        |      |      |
| ㊾                   | ④   |                            |        |      |      |
| ㊿                   | ④   |                            |        |      |      |
| 1                   | ④   |                            |        |      |      |
| 2                   | ④   |                            |        |      |      |
| 3                   | ④   |                            |        |      |      |
| 4                   | ④   |                            |        |      |      |
| 5                   | ④   |                            |        |      |      |
| 6                   | ④   |                            |        |      |      |
| 7                   | ④   |                            |        |      |      |
| 8                   | ④   |                            |        |      |      |



3rd ANGLE PROJECTION

CONFIDENTIAL