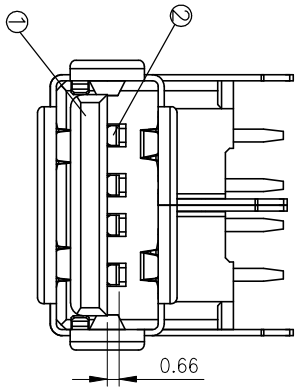
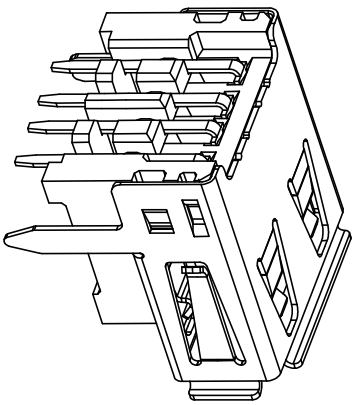


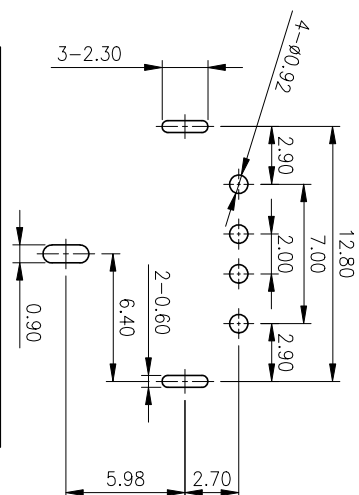
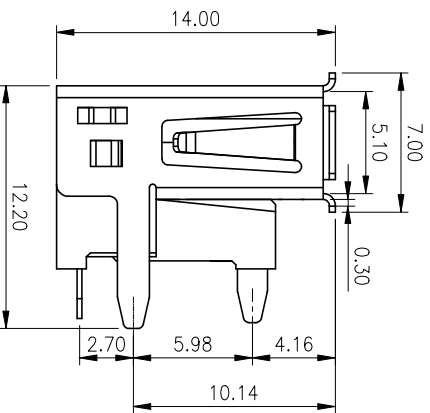
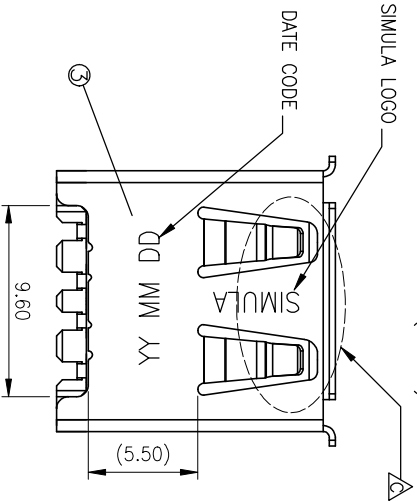
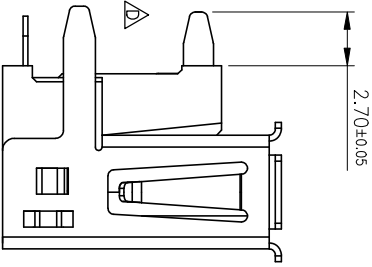
3D VIEW  
REFERENCE



DATE CODE:  
YY MM DD  
DAY (01~31)  
MONTH(01~12)  
YEAR (10 ~ )



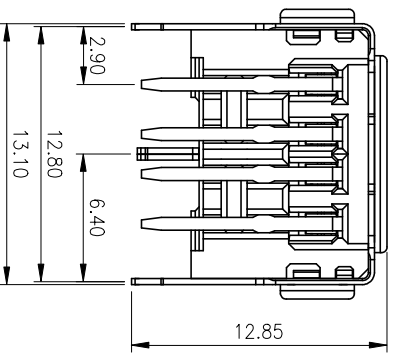
3D VIEW  
REFERENCE



RECOMMENDED P.C.B LAYOUT <TOP VIEW>  
NOTE : TOLERANCE FOR PCB LAYOUT IS ± 0.05  
PCB THICKNESS 1.20mm

ORDER INFORMATION:

PACKAGING	PART NO.:
N/A	MJ820T-4000-022
T/R	MJ820T-4000-422



CUSTOMER

① SHELL GND CONTACT	BRASS	NI: 80u" MIN.	1	---
② M1 CONTACT	COPPER ALLOY	Au 30u" MIN./In 150u" MIN.	1	---
③ P1 HOUSING	HIGH TEMP PLASTIC	---	1	---
ITEM DESCRIPTIONS		MATERIAL	FINISH	Q'TY NOTE
UNLESS OTHERWISE SPECIFIED DIMENSION ARE IN MILLIMETER TOLERANCE ARE : FRACTION DECIMALS ANGLES				
■ LEAD-FREE				
■ HALOGEN-FREE				
APPROVALS		DATE	TITLE	
SKY Mo	2013/10/16	2013/10/16	USB P.C.B. RIGHT ANGLE TYPE (A TYPE)	
ANDY	2013/10/16	2013/10/16	(A TYPE)	
JIM	2013/10/16	A4		
CONFIDENTIAL		SCALE	UNIT	SHEET
CONFIDENTIAL		2.5:1	mm	1/1



3rd ANGLE PROJECTION

Simula Technology Inc.  
NOV 26, 2013  
D.C.C. ISSUED

REV.	ECON. NO.	ISSUED
Δ	PDR-11N107	2011/12/21
Δ	DCN-1112058	JOHNNY
Δ	ECN-1310003	2013/10/16
		SKY Mo