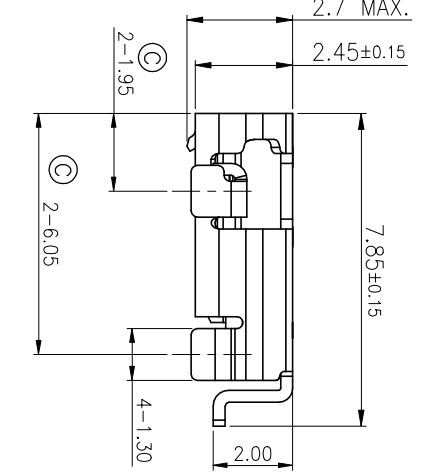
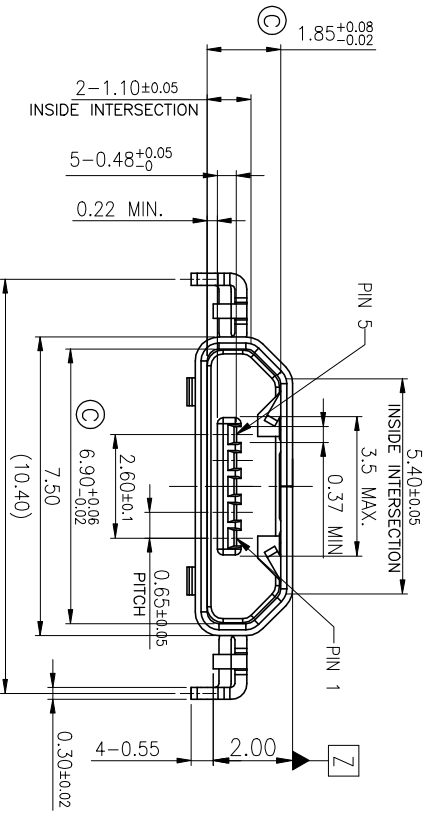


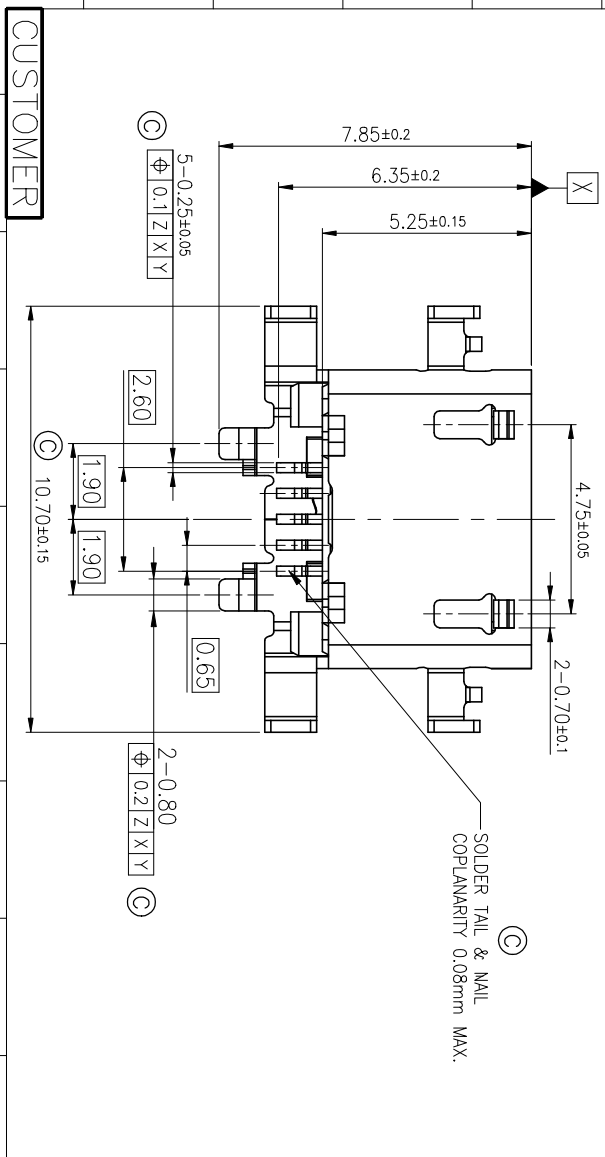
Simula Technology Inc.
JAN 24, 2014
D.C.C. ISSUED



PRODUCTION LINE
DD: DAY(01-31)
M: MONTH(M=1-9, X=10, Y=11, Z=12)
Y: YEAR(0-9)

NOTES:

- ELECTRICAL CHARACTERISTICS:
 - RATING: 1.8A (PIN 1/5), 1A (PIN 2/3/4).
 - CONTACT RESISTANCE: 30mΩ MAX.(INITIAL),
 - DIELECTRIC WITHSTANDING VOLTAGE: 100V AC FOR ONE MINUTE.
 - INSULATION RESISTANCE: 100MΩ MIN. MEASURE BY 100 VDC.
- MECHANICAL CHARACTERISTICS:
 - PULL INSERTION FORCE: 35N MAX.
 - PULL EXTRACTION FORCE: 8N MIN.
- DURABILITY TEST: 10,000 CYCLES.
- FOR REFLOW SOLDERING LEAD-FREE PROCESS.
- SOLDERING HEAT RESISTANCE REFLOW SOLDERING: 260°C.
- PLUG INTERFACE DIMENSIONS CONFORM TO USB2.0 SPEC.
- PACKAGING: TAPE & REEL.
- DATE CODE: Y M DD XX



SOLDER TAIL & NAIL
COPLANARITY 0.08mm MAX.

ITEM	DESCRIPTIONS	MATERIAL	FINISH	Q'TY	NOTE
③	CONTACT	COPPER ALLOY	CONTACT AREA: Au 2μ" OVER Pd/Ni 50μ" MIN. SOLDER TAIL: Au 2μ" OVER Ni 50μ" MIN..	5	
②	SHELL	STAINLESS STEEL	MATTE TIN 100~200μ" PLATING OVERALL Ni 50μ" MIN. UNDER PLATING OVERALL	1	
①	HOUSING	THERMAL PLASTIC	U194V-0-BLACK	1	

UNLESS OTHERWISE SPECIFIED DIMENSION ARE IN MILLIMETERS
TOLERANCE ARE :
FRACTION DECIMALS ANGLES

.X ± 0.2	.X ± .5
.XX ± 0.15	.X ± .3

3rd ANGLE PROJECTION

LEAD-FREE
HALOGEN-FREE

SIMULA
Superior Technology Solution Provider

PART NO. MJ817N-50C0-412

TITLE: CUSTOMER DRAWING
USB REVERSE B TYPE RECEPTACLE

APPROVALS: PERRY CHEN 2014/01/15
CHECKED: LEE 2014/01/15
APPROVED: CK WU 2014/01/15

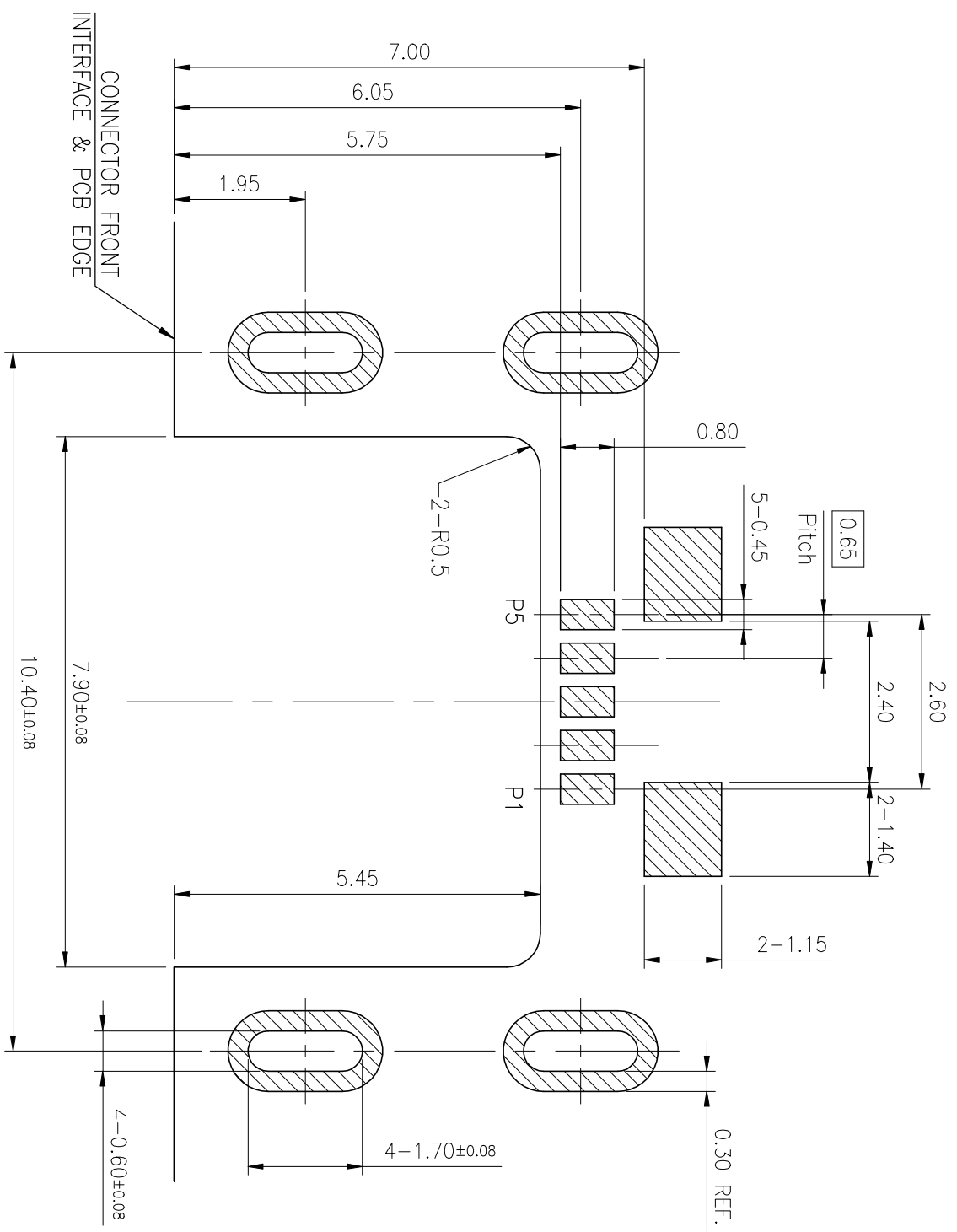
SCALE: 5:1 UNIT: MM SHEET: 1/3

CONFIDENTIAL

REV: A	DCN. NO. PDR-13N122 DCN-1401021	ISSUED 2014/01/15 Perry Chen
--------	------------------------------------	---------------------------------

REV.	DCN. NO.	ISSUED
△	PDR-13N122 DCN-1401021	2014/01/15 Perry Chen

Simula Technology Inc.
 JAN 24. 2014
D.C.C. ISSUED

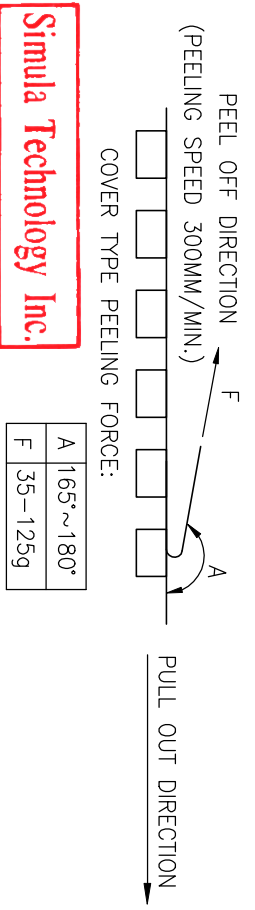
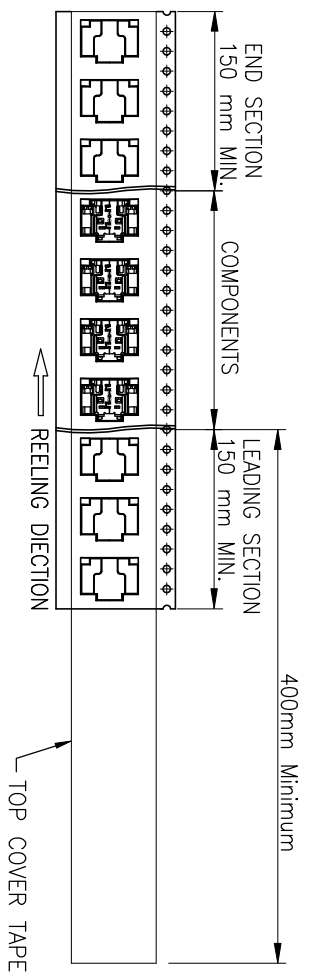


RECOMMENDED PCB LAYOUT
 NOTE: TOLERANCE FOR PCB LAYOUT IS ±0.05mm

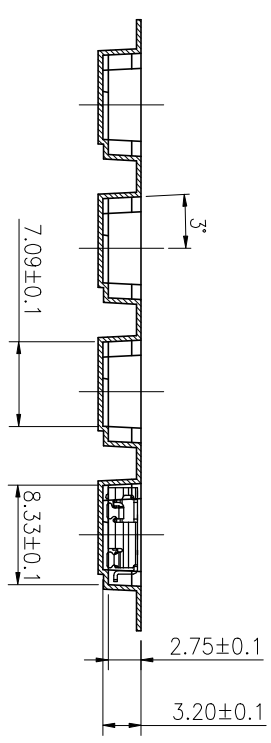
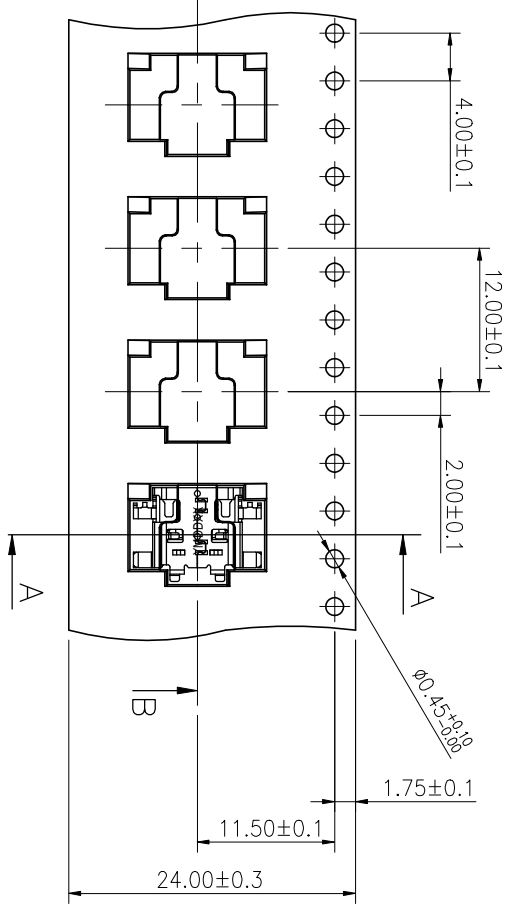
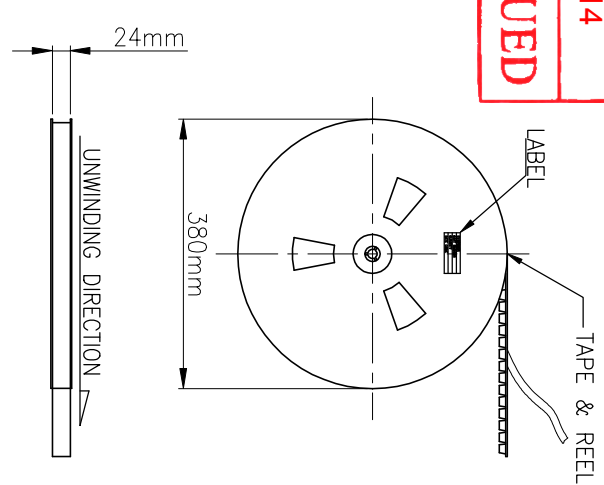
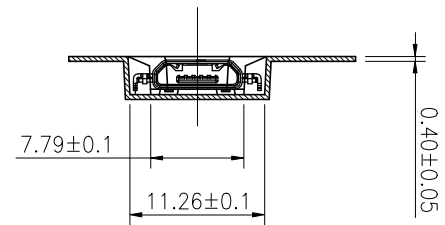
■ HALOGEN-FREE ■ LEAD-FREE		<small>UNLESS OTHERWISE SPECIFIED DIMENSION ARE IN MILLIMETERS TOLERANCE ARE :</small>	
<small>FRACTION</small> .XX ± 0.15	<small>DECIMALS</small> .X ± 0.2	<small>ANGLES</small> °X' ± 5"	<small>ANGLES</small> °X ± 0.2
		<small>3rd ANGLE PROJECTION</small>	
SIMULA <small>Simula Technology Solution Provider</small>		PART NO. MJ817N-50C0-412	
APPROVALS DRAWN: Perry Chen CHECKED: Lee APPROVED: Wu		DATE 2014/01/15 2014/01/15 2014/01/15	
TITLE CUSTOMER DRAWING USB REVERSE B TYPE RECEPTACLE		SCALE 10:1	
CONFIDENTIAL		UNIT: MM SHEET: 2/3	

CUSTOMER

REV:	DCN. NO.	ISSUED
Δ	PR-13N122 DCN-1401021	2014/01/15 Perry Chen



Simula Technology Inc.
 JAN 24, 2014
D.C.C. ISSUED



NOTES:

1. 10 SPROCKET HOLE PITCH CUMULATIVE TOLERANCE ±0.20.
2. CARRIER CAMBER IS WITHIN 1 mm IN 250 mm.
3. MATERIAL: TRANSPARENT CONDUCTIVE POLYSTYRENE ALLOY
4. ALL DIMENSIONS MEET EA-481-D REQUIREMENTS.
5. THICKNESS : 0.40±0.05mm.
6. COMPONENT LOAD PER 15" REEL 2200 PCS

■ HALOGEN-FREE ■ LEAD-FREE		<small>UNLESS OTHERWISE SPECIFIED DIMENSION ARE IN MILLIMETERS TOLERANCE ARE :</small> FRACTION DECIMAL ANGLES	
.X ± 0.2	.X ± 0.15	.X ± 0.2	.X ± 0.15
SIMULA <small>Superior Technology Solution Provider</small>		PART NO. MJS817N-50C0-412	
APPROVALS DRAWN: Perry Chen 2014/01/15 CHECKED: Lee 2014/01/15 APPROVED: Wu 2014/01/15		TITLE CUSTOMER DRAWING USB REVERSE B TYPE RECEPTACLE	
CONFIDENTIAL		SCALE 5:1 UNIT MM SHEET 3/3	

CUSTOMER