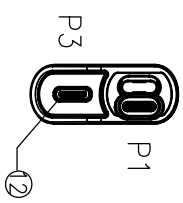
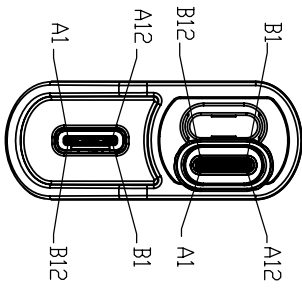
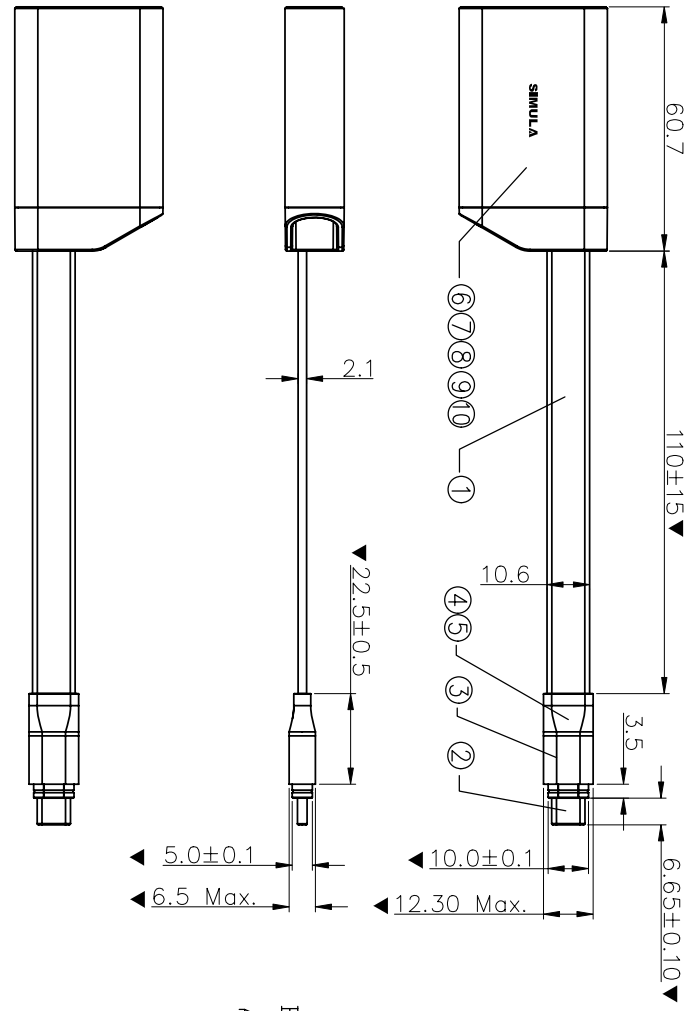
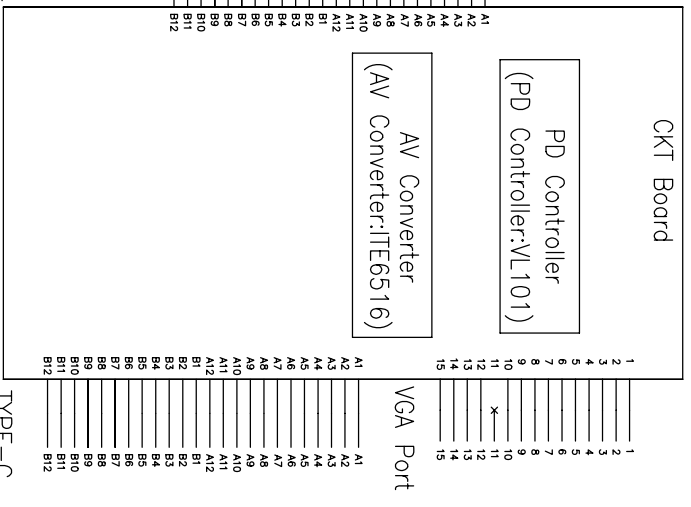


PIN ASSIGNMENT



DETAIL A
 SCALE 2:1

- Notes:
- A. Rated Voltage: 20.0V
 - B. Rated Current: 3.0A
 - C. 100% Function Test.
 - D. Critical Dimensions : ▼
 - E. RoHS & Halogen-Free Compliant.

ITEM	DESCRIPTIONS	MATERIAL	FINISH	Q'TY	NOTE
①	CABLE	ALUMINIUM ALLOY	GRAY	1	
②	Type-C COVER	24PIN CONN WITH PCB	/	1	
③	Type-C OVERMOLD	PP	/	/	
④	Type-C INNERMOLD	PP	/	/	
⑤	Type-C MAIN BODY	ALUMINIUM ALLOY	GRAY	1	
⑥	2 PORT COVER	ABS+PC	BLACK	1	
⑦	2 PORT SR	ABS+PC	BLACK	/	
⑧	2 PORT BOTTOM	ABS+PC	BLACK	1	
⑨	2 PORT PCB A	PCBA(PD Controller: VL101; AV Converter: ITE6516)	/	1	
⑩	Type-C CONN	VGA Rec.A	/	1	

ITEM	DESCRIPTIONS	MATERIAL	FINISH	Q'TY	NOTE
①	Type-C CONN	VGA Rec.A	/	1	
②	2 PORT PCB A	PCBA(PD Controller: VL101; AV Converter: ITE6516)	/	1	
③	2 PORT SR	ABS+PC	BLACK	/	
④	2 PORT BOTTOM	ABS+PC	BLACK	1	
⑤	2 PORT MAIN BODY	ALUMINIUM ALLOY	GRAY	1	
⑥	Type-C OVERMOLD	PP	/	/	
⑦	Type-C INNERMOLD	PP	/	/	
⑧	Type-C MAIN BODY	ALUMINIUM ALLOY	GRAY	1	
⑨	Type-C COVER	24PIN CONN WITH PCB	/	1	
⑩	CABLE	(34AWGx1P+E+A+HM)x4C+(34AWGx1P+A+HM)+(34AWGx1P+A+HM)x2C+24AWGx2C	BLACK	N/A	

TYPE-C PORT
 Rec. PORT
 TYPE-C PORT
 CUSTOMER

REV.	RFQ NO.	DESCRIPTION	ISSUED
Δ1	PDR-1803050003 DCN-1803035	FIRST RELEASE	2018/02/06 Alen.chen