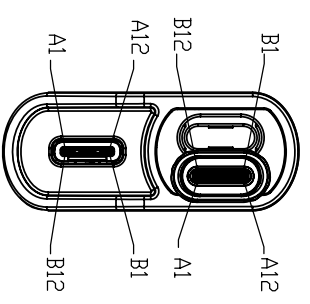
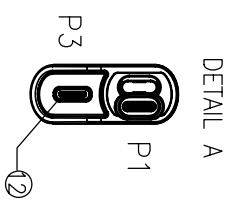
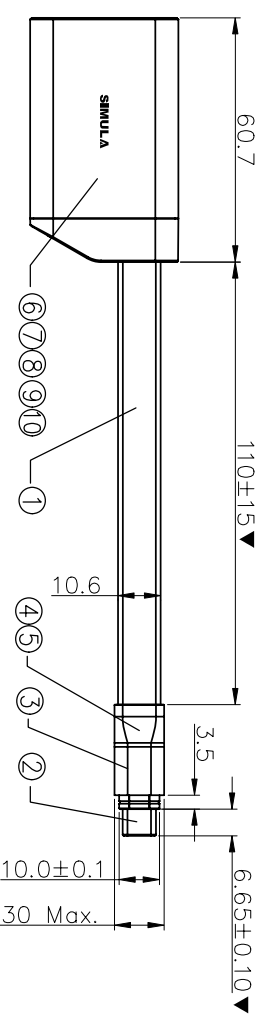
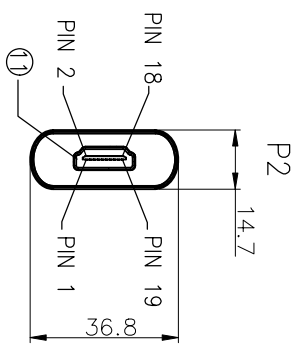
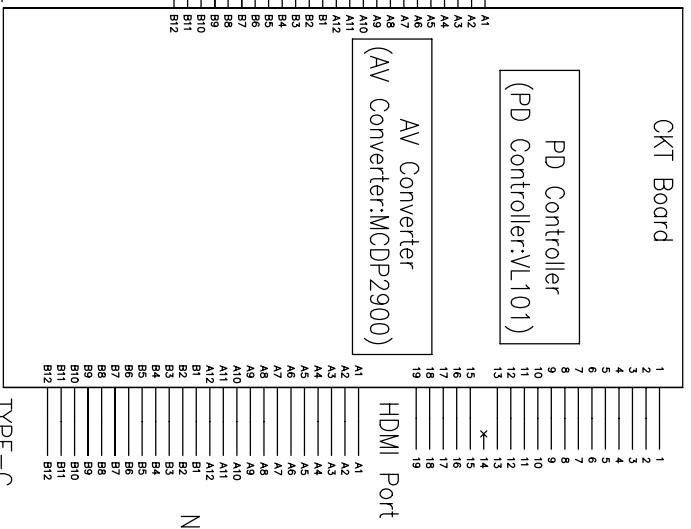


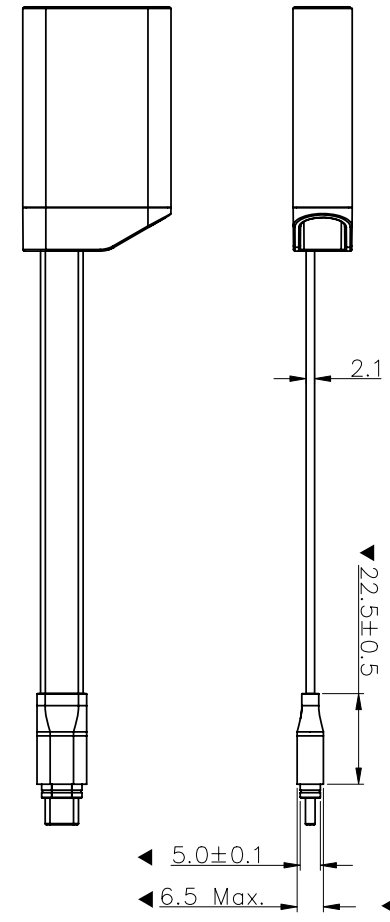
REV.	RFQ NO.	DESCRIPTION	ISSUED
PDR-1803050002		FIRST RELEASE	2018/02/06
Δ X1	DCN-18030534		Alen.chen



PIN ASSIGNMENT



- Notes:
- A. Rated Voltage: 20.0V
 - B. Rated Current: 3.0A
 - C. 100% Function Test.
 - D. Critical Dimensions : ▼
 - E. RoHS & Halogen-Free Compliant.



DETAIL A
 SCALE 2:1

ITEM	DESCRIPTIONS	MATERIAL	FINISH	Q'TY	NOTE
①	CABLE	(34AWGx1P+E+A+HM)x4C+(34AWGx1P+A+HM)x1(34AWGx1P+A+HM)x2C+24AWGx2C	BLACK	N/A	
②	Type-C COVER	ALUMINIUM ALLOY	GRAY	1	
③	Type-C CONN	ALUMINIUM ALLOY	GRAY	1	
④	Type-C OVERMOLD	PP	BLACK	/	
⑤	Type-C MAIN BODY	ALUMINIUM ALLOY	GRAY	1	
⑥	2 PORT COVER	ABS+PC	BLACK	1	
⑦	2 PORT BOTTOM	ABS+PC	BLACK	1	
⑧	2 PORT SR	TPE	BLACK	/	
⑨	2 PORT PCBA	PCBA(PD Controller: VL101; AV Converter: MCDP2900)	/	1	
⑩	2 PORT CONN	Type-C Rec.	/	1	
⑪	HDMI CONN	HDMI Rec.A	/	1	
⑫	Type-C CONN	Type-C Rec.	/	1	

UNLESS OTHERWISE SPECIFIED DIMENSION ARE IN MILLIMETERS TOLERANCE DECIMALS ANGLES

APPROVALS: **SIMULA** SUPERIOR TECHNOLOGY SOLUTIONS

DATE: 2018/02/06

TITLE: USB Type-C to HDMI2.0 Charging Dongle(with PD) L=110MM

SCALE: X1

APPROVED: Kevin

DATE: 2018/02/06

SIZE VERSION: X1

CUST: P/N

SCALE: 1:2

UNIT: mm

SHEET: 1/1

TYPE-C PORT

CUSTOMER

TYPE-C Rec. PORT