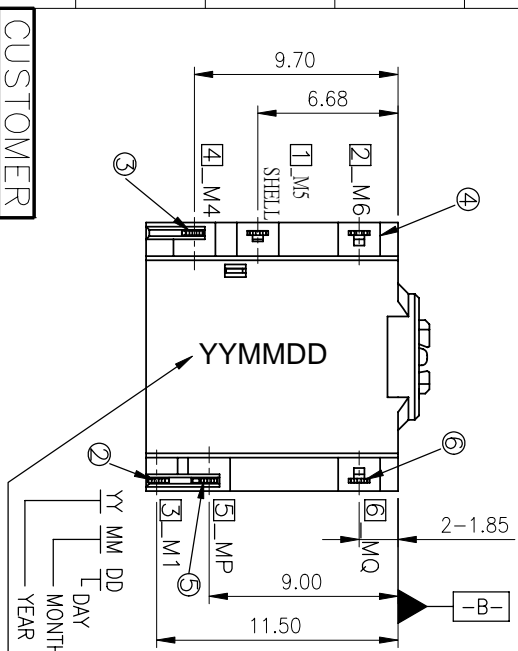
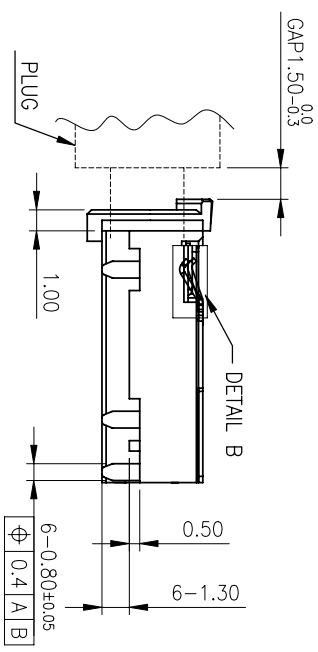
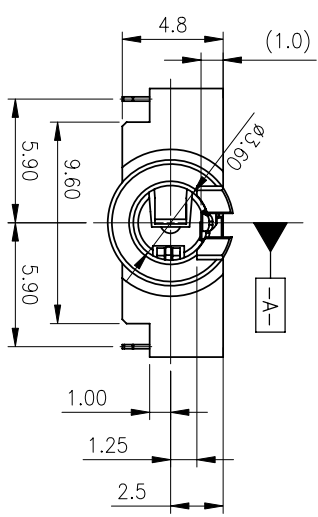


DETAIL B SCALE 5:1

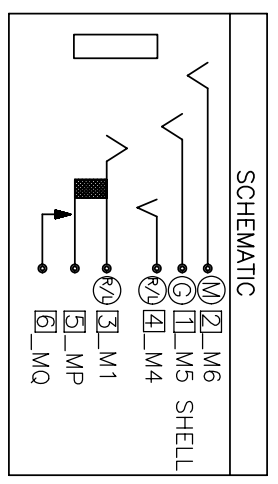
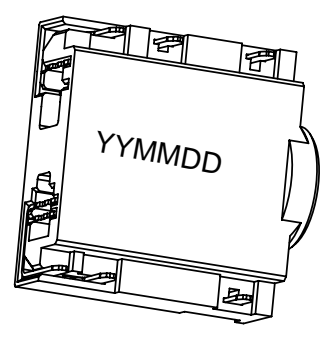
PRODUCT APPLICATION:
THE SPRING WORKING POSITION
WHEN PLUG-IN.

ORDER INFORMATION:

PACKAGING	PART NO.
T/R	AU3A2F-Y150-412



REFERENCE 4 POLE PLUG
TOLERANCE: ±0.05



STAND OFF AREA
NOTE : TOLERANCE FOR PCB LAYOUT IS ±0.05

RECOMMENDED PADS LAYOUT T=1.2
<TOP VIEW>

ITEM	DESCRIPTIONS	MATERIAL	FINISH	Q'TY	NOTE
⑧	MYLAR	KAPTON		1	
⑦	M5 SHELL	COPPER ALLOY	Su* Au on contact area and Nickel Plated on other area	1	0.2t
⑥	M0_ON CONTACT	COPPER ALLOY	Gold finish on contact area and Solder tail all over Nickel Plated	1	0.2t
⑤	MP_OS CONTACT	COPPER ALLOY	Copper Plated	1	0.2t
④	M6_GND CONTACT	COPPER ALLOY	Su* Au on contact area and gold finish on Solder tail all over Nickel Plated	1	0.2t
③	M4_T CONTACT	COPPER ALLOY	Su* Au on contact area and gold finish on other area all over Nickel Plated	1	0.2t
②	M1_R CONTACT	COPPER ALLOY	Su* Au on contact area and gold finish on other area all over Nickel Plated	1	0.2t
①	P1_HOUSING	THERMOPLASTIC MATERIAL	BLACK	1	BLACK

UNLESS OTHERWISE SPECIFIED DIMENSION ARE IN MILLIMETERS FRACTION DECIMALS ANGLES

APPROVALS: K.L. 2013/08/23

DATE: 2013/08/23

SCALE: 2.5:1

SHEET: 1/1

CUSTOMER

3rd ANGLE PROJECTION

CONFIDENTIAL

3.50mm EARPHONE JACK