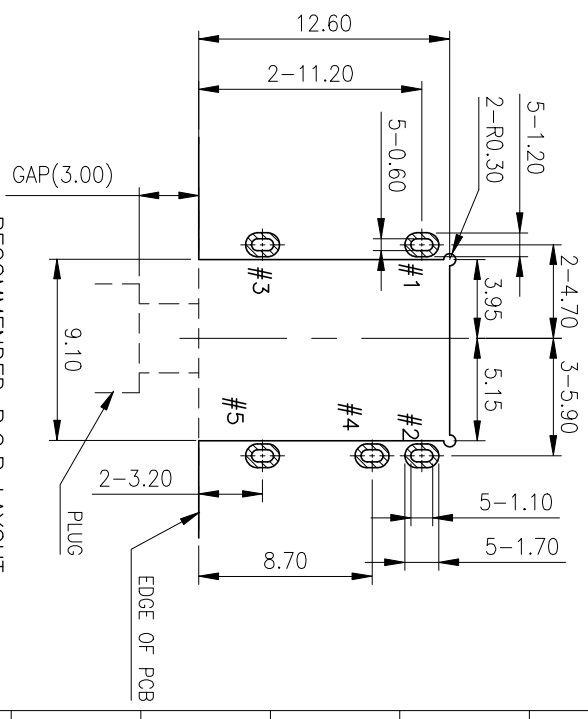
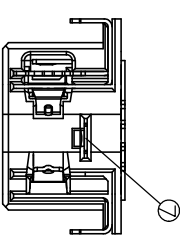
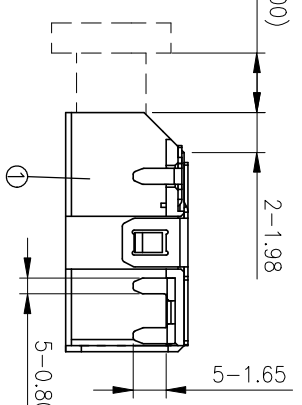
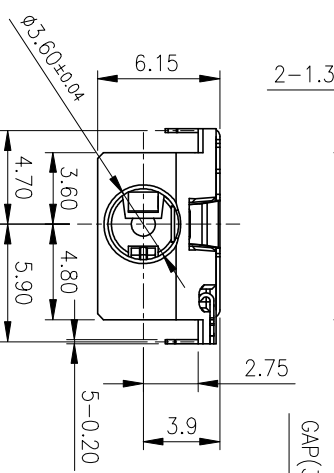
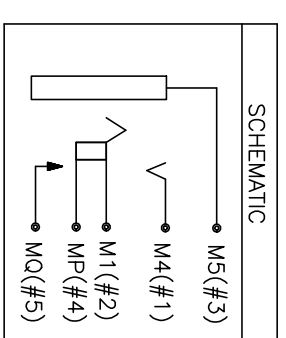
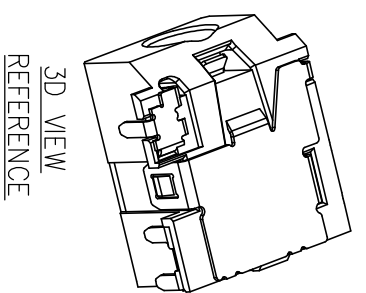
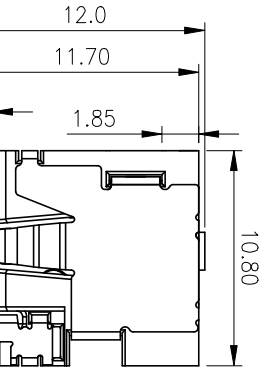
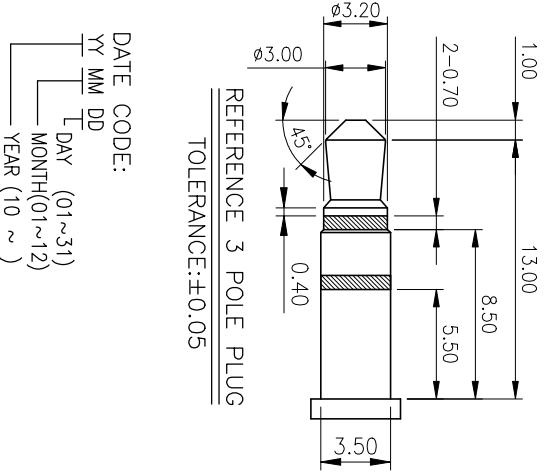
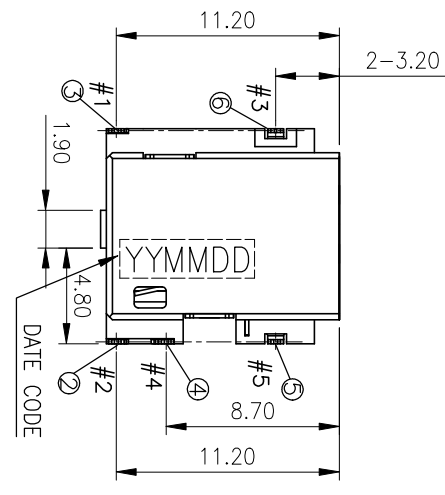


REV.	ECON. NO.	ISSUED
PDR-11N438	2012/05/28	
DNC-1205064	CL	

**Simula Technology Inc.**  
**MAY 30, 2012**  
**D.C.C. ISSUED**



NOTE: TOLERANCE FOR PCB LAYOUT IS ± 0.05  
 RECOMMENDED P.C.B LAYOUT  
 <TOP VIEW>



DATE CODE:  
 YY MM DD  
 DAY (01~31)  
 MONTH(01~12)  
 YEAR (10 ~ )

ITEM	DESCRIPTIONS	MATERIAL	FINISH	Q'TY	NOTE
①	M4F	STAINLESS STEEL		1	0.15t
②	M5 GND CONTACT	COPPER ALLOY	NI	1	0.20t
③	MQ ON CONTACT	COPPER ALLOY	GOLD FLASH	1	0.20t
④	MP OS CONTACT	COPPER ALLOY	GOLD FLASH	1	0.20t
⑤	M4 T CONTACT	COPPER ALLOY	GOLD FLASH	1	0.20t
⑥	M1 R CONTACT	COPPER ALLOY	GOLD FLASH	1	0.20t
⑦	P1 HOUSING	HIGH TEMP PLASTIC	UL 94V-0	1	BLACK

UNLESS OTHERWISE SPECIFIED DIMENSION ARE IN MILLIMETER FRACTION DECIMALS ANGLES	APPROVALS	DATE	TITLE
■ LEAD-FREE ■ HALOGEN-FREE 3rd ANGLE PROJECTION	APPROVED: FRANK CHECKED: ANDY	2012/05/28 2012/05/28	PART NO. AU3A2D-G000-412 TITLE 3POLE-1SWITCH(NORMAL OPEN)

CUSTOMER