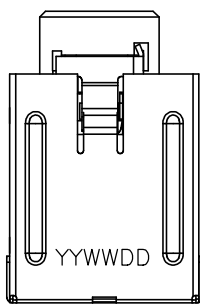
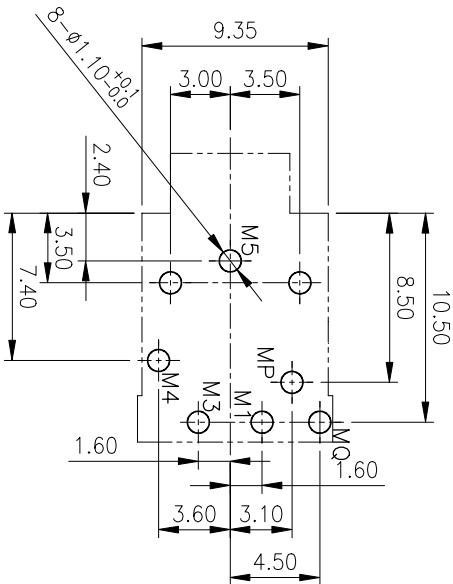
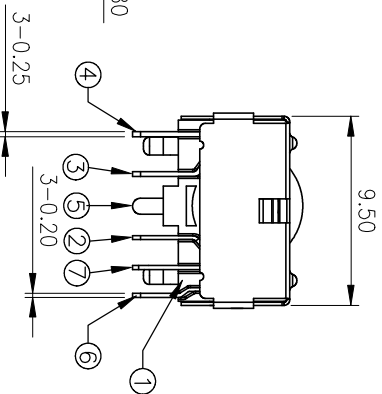
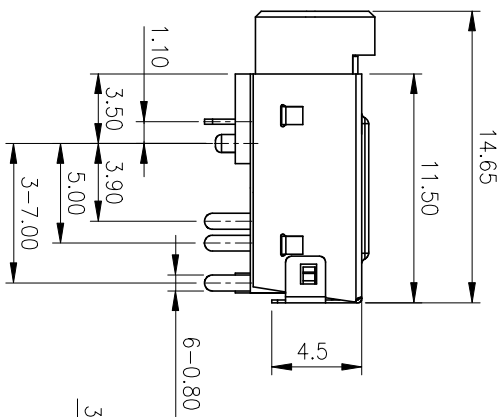
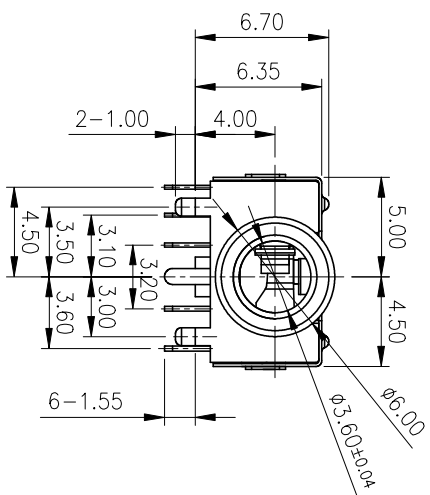


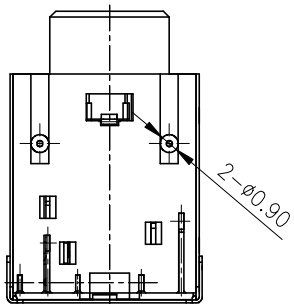
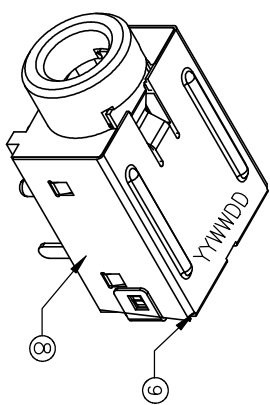
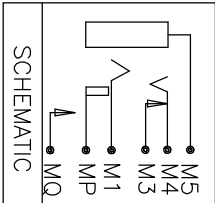
Simula Technology Inc.
MAR 19, 2014
D.C.C. ISSUED



DATE CODE:
 YYWWDD
 DD:DATE
 WW:WEEK
 YY:YEAR



RECOMMENDED PCB LAYOUT
 <TOP VIEW>
 NOTE : TOLERANCE FOR PCB LAYOUT IS ± 0.05



ITEM	DESCRIPTIONS	MATERIAL	FINISH	Q'TY	NOTE
①	P1 HOUSING	HIGH TEMP PLASTIC	BLACK	1	
②	M1 RING CONTACT	COPPER ALLOY 0.25T	180U" Ni	1	
③	M3 TIP SHUNT	COPPER ALLOY 0.25T		1	
④	M4 TIP CONTACT	COPPER ALLOY 0.25T	ALL OVER 50~	1	
⑤	M5 GND CONTACT	COPPER ALLOY 0.25T		1	
⑥	MP OS CONTACT	COPPER ALLOY 0.20T	1u" Min Au	1	
⑦	MQ ON CONTACT	COPPER ALLOY 0.20T		1	
⑧	MP OS CONTACT	COPPER ALLOY 0.20T		1	
⑨	C1 SHELL	COPPER ALLOY 0.15T	50~180U" Ni	1	
⑩	KAPTON	POLYIMIDE FILM 0.08T		1	

UNLESS OTHERWISE SPECIFIED DIMENSION ARE IN MILLIMETERS TOLERANCE ARE : FRACTION DECIMALS ANGLES		SIMULA <small>Special Technology Solution Provider</small>		PART NO. AJ3A1M-M100-412	
■ LEAD-FREE ■ HALOGEN-FREE	APPROVALS CHECKED: ANDY APPROVED: JIM	DATE 2014/03/10	TITLE CUSTOMER DRAWING 3.5Ømm AUDIO JACK	SIZE VERSION A4 A	Q'ISS NO.
3rd ANGLE PROJECTION		CONFIDENTIAL		SCALE 1:1	UNIT mm SHEET 1/1

CUSTOMER

REV.	EON. NO.	ISSUED
△	PDR-13N278 DCN-1403009	2014/03/10 CL