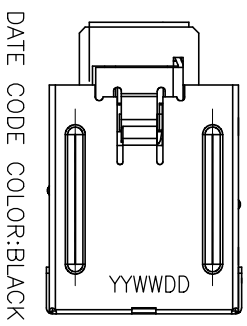
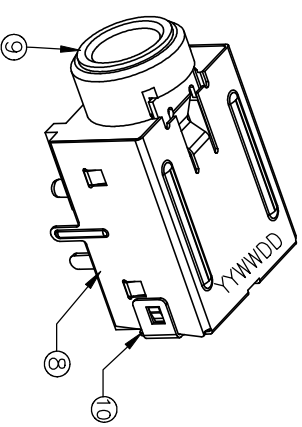
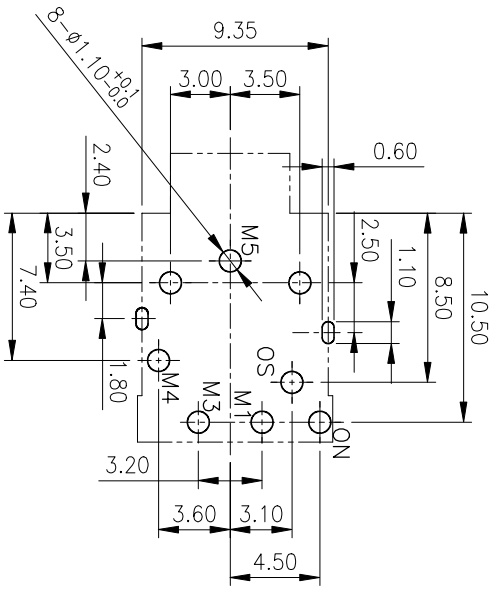
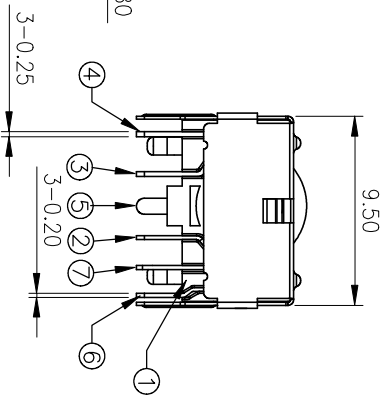
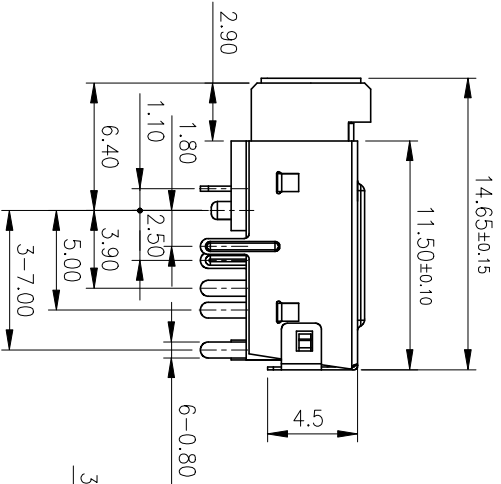
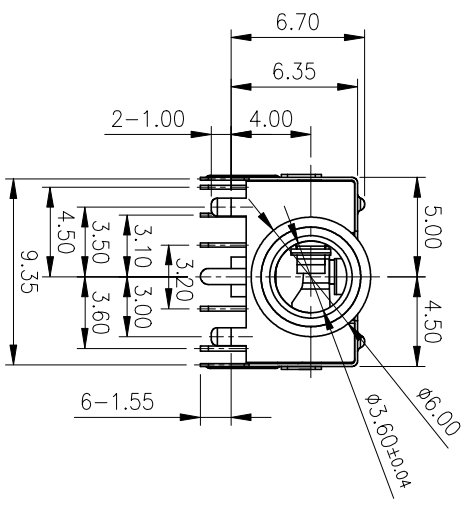


REV.	ECN. NO.	ISSUED
▲	PDR-11N501 DCN-1206031	2013/05/09 CL

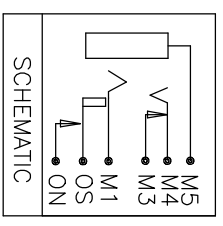


DATE CODE COLOR:BLACK

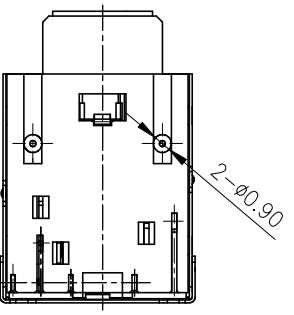
DATE CODE:
YYWWDD
DD:DATE
WW:WEEK
YY:YEAR



RECOMMENDED PCB LAYOUT
<TOP VIEW>
NOTE : TOLERANCE FOR PCB LAYOUT IS ± 0.05



Simula Technology Inc.
MAY 09. 2013
D.C.C. ISSUED



⑩	MYLAR	POLYIMIDE FILM		1
⑨	METAL BUSHING	COPPER ALLOY	NI	1
⑧	C1 SHELL	COPPER ALLOY	NI	1
⑦	MP_OS CONTACT	COPPER ALLOY	AU	1
⑥	MQ_ON CONTACT	COPPER ALLOY	AU	1
⑤	M5_GND CONTACT	COPPER ALLOY	AU	1
④	M4_TIP CONTACT	COPPER ALLOY	AU	1
③	M3_TIP SHUNT	COPPER ALLOY	AU	1
②	M1_RING CONTACT	COPPER ALLOY	AU	1
①	P1 HOUSING	HIGH TEMP PLASTIC		1

UNLESS OTHERWISE SPECIFIED DIMENSION ARE IN MILLIMETER TOLERANCE ARE :	FINISH	Q'TY	NOTE
FRACTION DECIMALS ANGLES			
X ± 0.3			
XX ± 0.2			
X' ± 0.5			
X' ± 0.2			

SIMULA SPECIAL TECHNOLOGY SOLUTIONS	PART NO.	FINISH	Q'TY	NOTE
APPROVALS	DATE			
BRN/CI	2013/05/09			
TITLE				
AUDIO JACK				

CHECKED	ANDY	2013/05/09	SIZE	VERSION	CUSS	NO.
APPROVED	JIM	2013/05/09	A4	A		

SCALE	UNIT	SHEET
1:1	mm	1/1

CUSTOMER

1 2 3 4 5 6 7 8