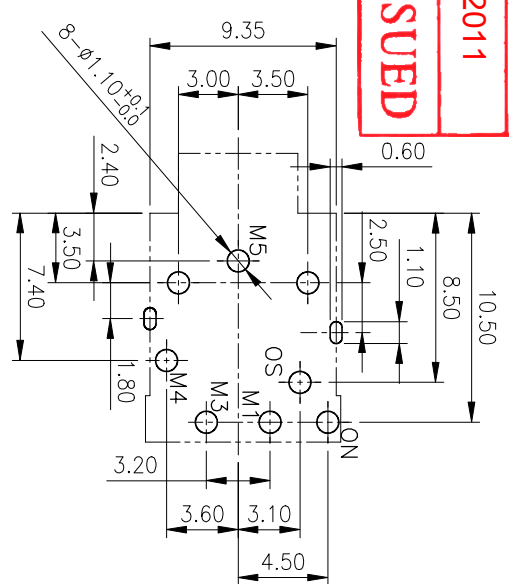
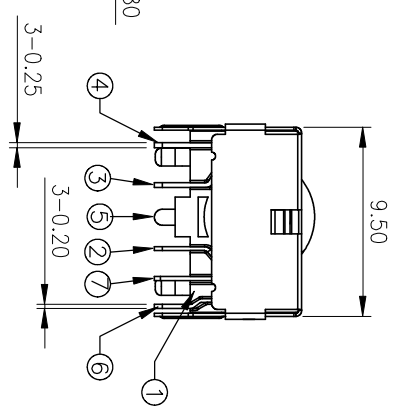
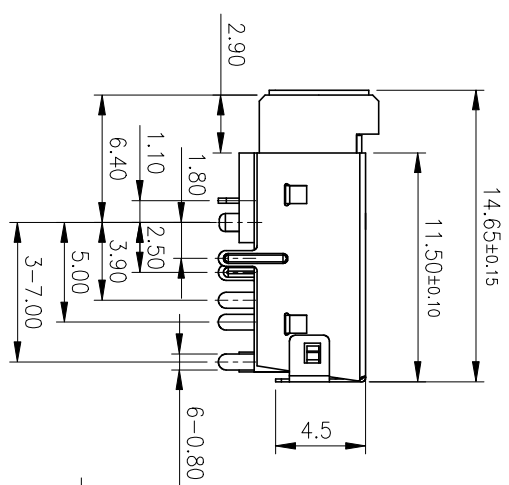
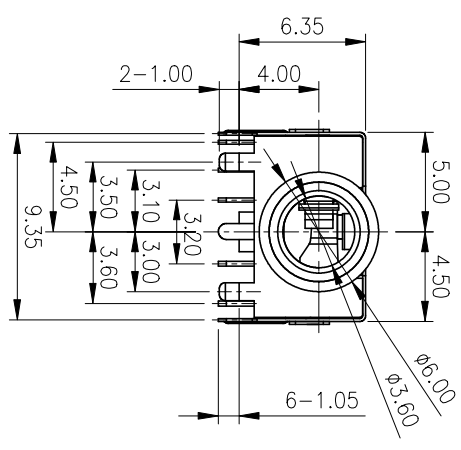


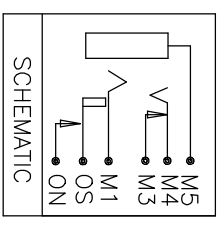
DATE CODE:(BLACK)
 YY:YEAR
 WW:WEEK
 DD:DATE

Simula Technology Inc.
OCT 18. 2011
D.C.C. ISSUED

REV.:	EQN. NO.	ISSUED
▲ PDR-11N114		2011/10/12
DCN-1106074		TC



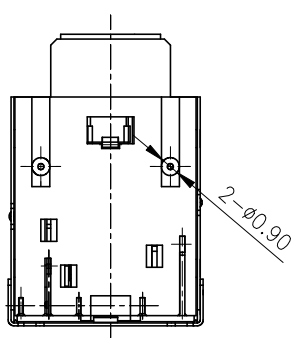
RECOMMENDED PCB LAYOUT
 <TOP VIEW>
 NOTE : TOLERANCE FOR PCB LAYOUT IS ± 0.05



ORDER INFORMATION:
 AJ3A1A-M10X-X12

- HOUSING COLOR
- O: BLACK
 - G: LIME #577C
 - B: BLUE #284C
 - P: PINK #701C

PACKAGING	PART NO.:
N/A	AJ3A1A-M10X-012
T/R	AJ3A1A-M10X-412



ITEM	DESCRIPTIONS	MATERIAL	FINISH	Q'TY	NOTE
①	MYLAR	POLYIMIDE FILM		1	
②	METAL BUSHING	COPPER ALLOY		1	
③	C1 SHELL	COPPER ALLOY		1	
④	MP_OS CONTACT	COPPER ALLOY		1	
⑤	MQ_ON CONTACT	COPPER ALLOY		1	
⑥	M5_GND CONTACT	COPPER ALLOY		1	
⑦	M4_TIP CONTACT	COPPER ALLOY		1	
⑧	M3_TIP SHUNT	COPPER ALLOY		1	
⑨	M1_RING CONTACT	COPPER ALLOY		1	
⑩	P1 HOUSING	HIGH TEMP PLASTIC		1	

UNLESS OTHERWISE SPECIFIED DIMENSION ARE IN MILLIMETERS FRACTION DECIMALS ANGLES		PART NO. AJ3A1A-M10X-X12																									
<table border="1"> <tr> <td>X</td> <td>± 0.3</td> <td>X'</td> <td>± 5'</td> </tr> <tr> <td>XX</td> <td>± 0.2</td> <td>X''</td> <td>± 3'</td> </tr> </table>		X	± 0.3	X'	± 5'	XX	± 0.2	X''	± 3'	TITLE AUDIO JACK																	
X	± 0.3	X'	± 5'																								
XX	± 0.2	X''	± 3'																								
<table border="1"> <tr> <td>APPROVALS</td> <td>DATE</td> <td>APPROVALS</td> <td>DATE</td> </tr> <tr> <td>ANDY</td> <td>2011/10/12</td> <td>TC</td> <td>2011/10/12</td> </tr> <tr> <td>FRANK</td> <td>2011/10/12</td> <td></td> <td></td> </tr> </table>		APPROVALS	DATE	APPROVALS	DATE	ANDY	2011/10/12	TC	2011/10/12	FRANK	2011/10/12			<table border="1"> <tr> <td>CHECKED</td> <td>ANDY</td> <td>2011/10/12</td> <td>SIZE VERSION</td> <td>A</td> <td>CUSS. NO.</td> </tr> <tr> <td>APPROVED</td> <td>FRANK</td> <td>2011/10/12</td> <td>A4</td> <td></td> <td></td> </tr> </table>		CHECKED	ANDY	2011/10/12	SIZE VERSION	A	CUSS. NO.	APPROVED	FRANK	2011/10/12	A4		
APPROVALS	DATE	APPROVALS	DATE																								
ANDY	2011/10/12	TC	2011/10/12																								
FRANK	2011/10/12																										
CHECKED	ANDY	2011/10/12	SIZE VERSION	A	CUSS. NO.																						
APPROVED	FRANK	2011/10/12	A4																								
<table border="1"> <tr> <td>SCALE</td> <td>2.5:1</td> <td>UNIT</td> <td>mm</td> <td>SHEET</td> <td>1/1</td> </tr> </table>		SCALE	2.5:1	UNIT	mm	SHEET	1/1	<table border="1"> <tr> <td>CONFIDENTIAL</td> <td></td> </tr> </table>		CONFIDENTIAL																	
SCALE	2.5:1	UNIT	mm	SHEET	1/1																						
CONFIDENTIAL																											

CUSTOMER