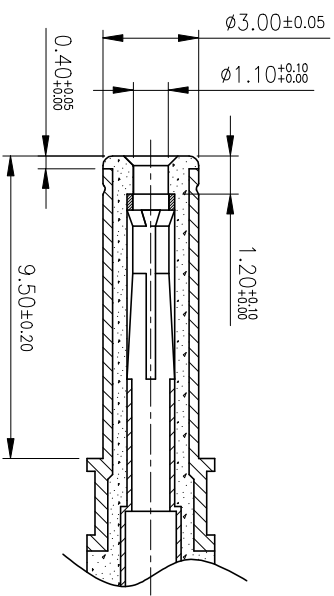
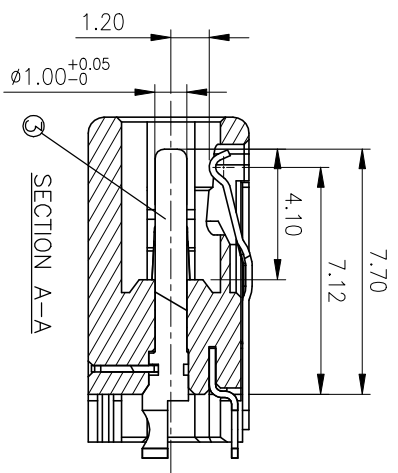
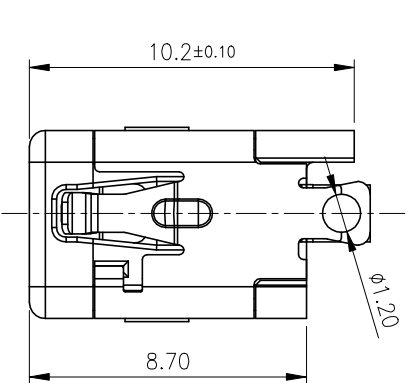
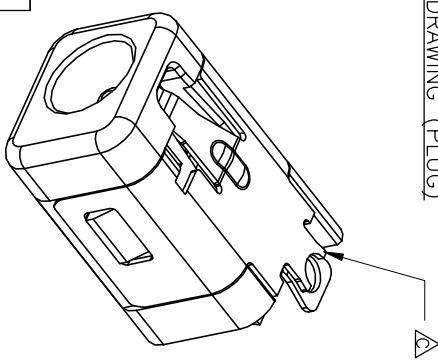
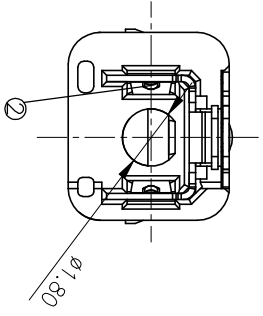
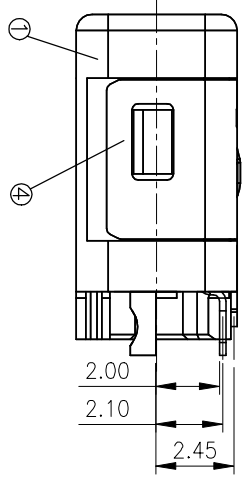
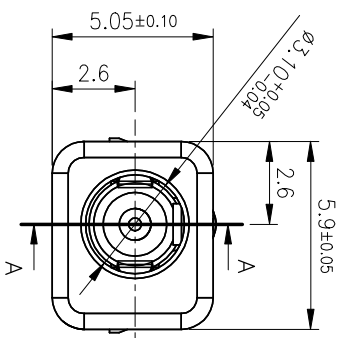


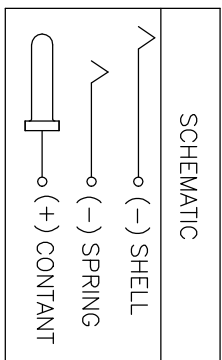
REV.	PART-NO.	ISSUED
△	PDR-11N289 DCN-1202018	2012/02/09 JOHNNY
△	ECN-1308002	2013/08/21 ZJM



REFERENCE DRAWING (PLUG)

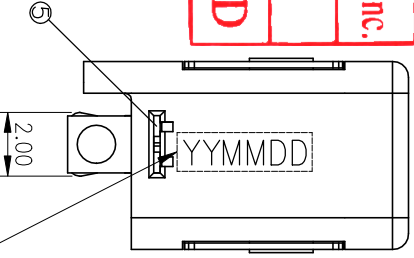


3D VIEW  
REFERENCE



PACKAGING	PART NO.:
N/A	AJ265B-A1F0-012
TRAY	AJ265B-A1F0-212

**Simula Technology Inc.**  
**OTC 07. 2013**  
**D.C.C. ISSUED**

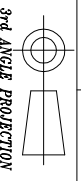


DATE CODE:  
 YY MM DD  
 DAY (01~31)  
 MONTH(01~12)  
 YEAR (10 ~ )

① STOPPER	STAINLESS	1
② SHELL	PBS	1
③ M4 CONTANT	BARRS	1
④ M1 SPRING	Ti-Cu	1
⑤ P1 HOUSING	HIGH TEMP PLASTIC	1
FINISH		BLACK
Q'TY		NOTE

UNLESS OTHERWISE SPECIFIED  
 DIMENSIONS ARE IN MILLIMETERS  
 TOLERANCE ARE :  
 FRACTION DECIMALS ANGLES

- LEAD-FREE
- HALOGEN-FREE



3rd ANGLE PROJECTION

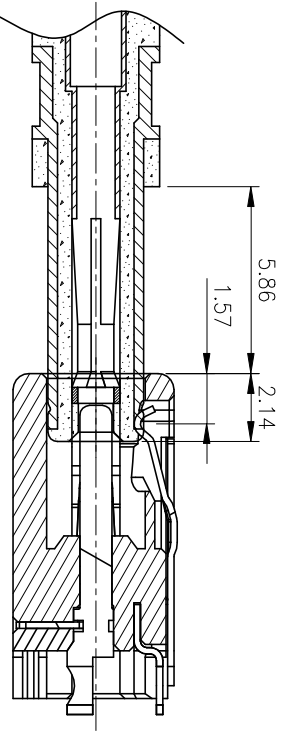
CHECKED	ANDY	2013/08/21	SIZE	A4	
APPROVED	JIM	2013/08/21	VERSION	C	
CONFIDENTIAL		SCALE	4:1	UNIT	mm
		SHEET			1/2

**SIMULA**  
 Superior Technology Solution Provider  
 DC POWER JACK

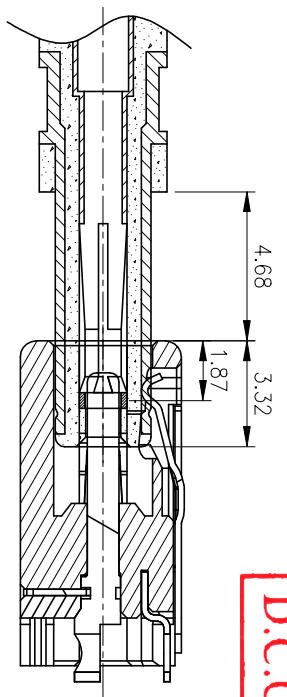
CUSTOMER

REV.	PART-NO.	ISSUED
Δ	PDR-11N289 DCN-1202018	2012/02/09 JOHNNY
Δ*	ECN-1308002	2013/08/21 ZJM

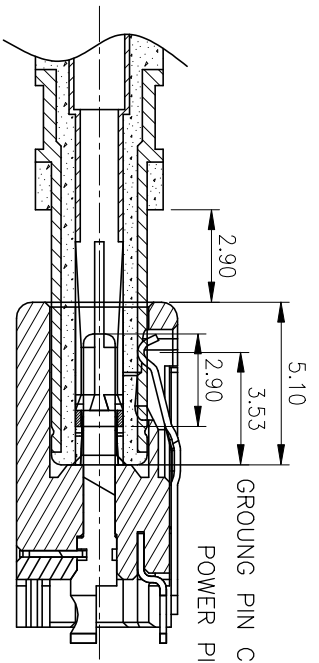
**Simula Technology Inc.**  
**OTC 07. 2013**  
**D.C.C. ISSUED**



1.GROUND PIN (-) CONTACT



2.POWER PIN (+) CONTACT



3.MATING CONDITION

GROUND PIN CONTACT AREA  
POWER PIN CONTACT AREA

<input type="checkbox"/> LEAD-FREE <input type="checkbox"/> HALOGEN-FREE		<small>UNLESS OTHERWISE SPECIFIED  DIMENSION ARE IN MILLIMETERS  TOLERANCE ARE :  FRACTION DECIMALS ANGLES</small>	
X ± 0.3	X' ± 0.5	X ± 0.2	X' ± 0.3
		<small>3rd ANGLE PROJECTION</small>	
		<small>Superior Technology Solution Provider</small>	
APPROVALS	DATE	TITLE	PART NO.
ZJM	2013/08/21	DC POWER JACK	AJ265B-A1F0-X12
CHECKED	DATE	SIZE	VERSION
ANDY	2013/08/21	A4	C
APPROVED	DATE	SCALE	UNIT
JIM	2013/08/21	4:1	mm
<b>CONFIDENTIAL</b>		SHEET	2/2

CUSTOMER