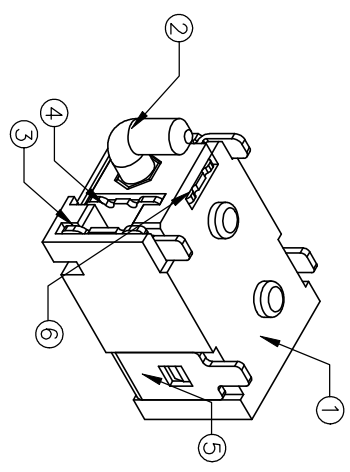
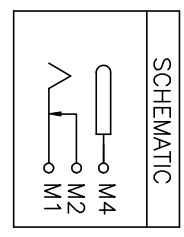


REV.	PART-NO.	ISSUED
△	PR-13N201	2014/03/05
	DCN-1309038	Jason
△	ECN-1503001	2015/04/21
		Jason



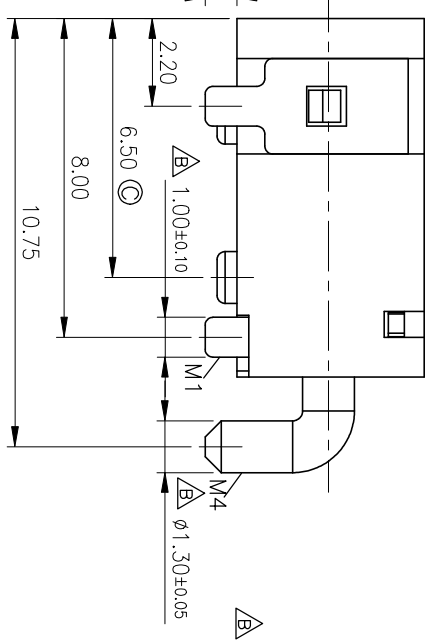
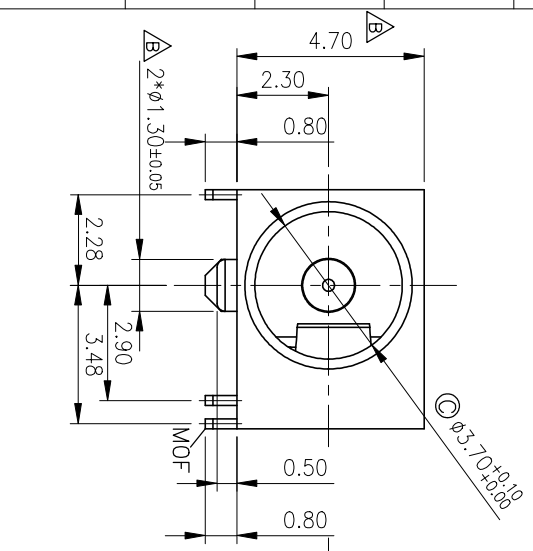
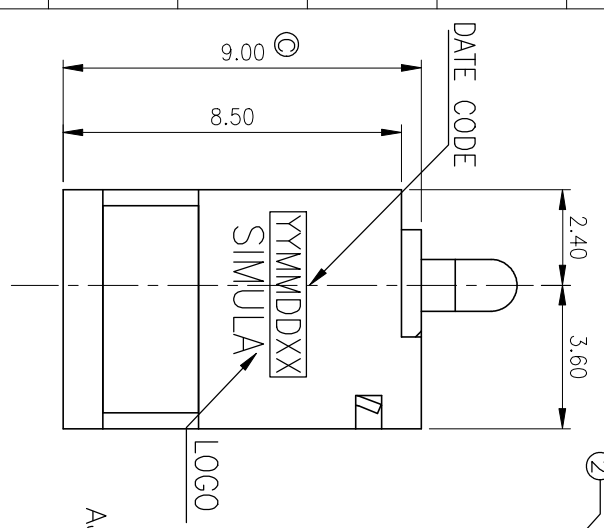
NOTES:

- ELECTRICAL CHARACTERISTICS:
1-1 CONTACT RESISTANCE(PLUG TO CONTACTS): 50mΩ MAX. (INITIAL)
CONTACT RESISTANCE(CONTACT TO SHUNT): 30mΩ MAX. (INITIAL)
- 1-2. DIELECTRIC WITHSTANDING VOLTAGE:250V AC FOR ONE MINUTE.
- 1-3. INSULATION RESISTANCE: MEASURED BY 250V DC INITIAL 100MΩ MIN AFTER HUMIDITY TEST 50MΩ.
- MECHANICAL CHARACTERISTICS:
2-1. PLUG INSERTION FORCE : 0.4~2.0 Kgf (INITIAL), 0.3~2.0 Kgf (FINAL) LIFE TEST.
2-2. PLUG WITHDRAWAL FORCE : 0.4~2.0 Kgf (INITIAL), 0.3~2.0 Kgf (FINAL) LIFE TEST.
- DURABILITY TEST: 5,000 CYCLES .
- FOR REFLOW SOLDERING LEAD-FREE PROCESS.
- SOLDERING HEAT RESISTANCE REFLOW SOLDERING 260°C.
- PLUG INTERFACE DIMENSIONS CONFORM TO EIAJ RC-5320A SPEC.
- PACKAGING: TAPE&REEL.
- CPK DIMENSION : ©
- DATE CODE: YY MM DD XX



AU233A-410X-422
0:BLACK.
1:ORANGE#151C.

Simula Technology Inc.
MAY 13. 2015
D.C.C. ISSUED



ITEM	DESCRIPTIONS	MATERIAL	FINISH	Q'TY	NOTE
①	STOP PIN	SUS 304R-1/2H	N/A	1	
②	GROUND SHELL	SUS 304R-3/4H	Au 1u"	1	
③	CONTACT	BRASS C2680R-H	Au 1u"	1	
④	SPRING	PBS C5210R-EH	Au 1u"	1	
⑤	CENTER PIN	BRASS C3602	Au 1u"	1	
⑥	HOUSING	PA9T GP2450NH		1	

UNLESS OTHERWISE SPECIFIED DIMENSION ARE IN MILLIMETERS TOLERANCE ARE : FRACTION DECIMALS ANGLES

SIMULA Superior Technology Solution Provider

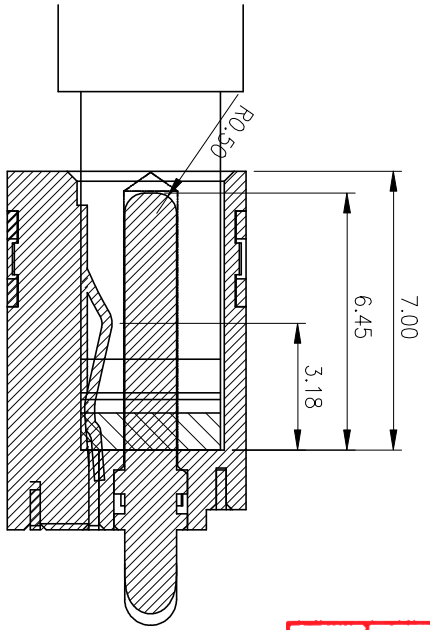
APPROVALS	DATE	TITLE
JASON	2015/04/21	DC JACK
ANDY	2015/04/21	
JIM	2015/04/21	
CHECKED	APPROVED	SIZE VERSION
ANDY	JIM	B
SCALE	UNIT	SHEET
A4	mm	1/3

CUSTOMER

Simula Technology Inc.

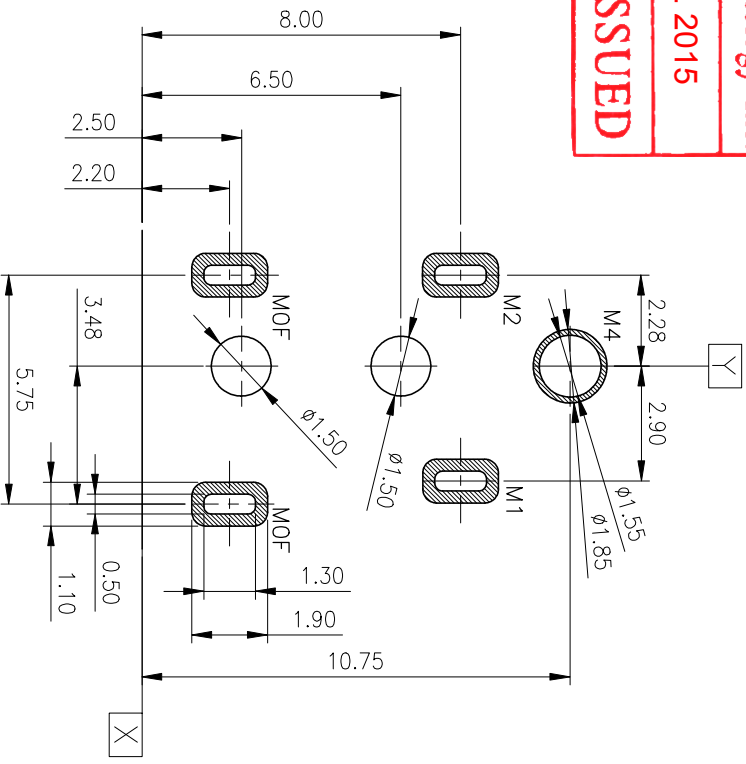
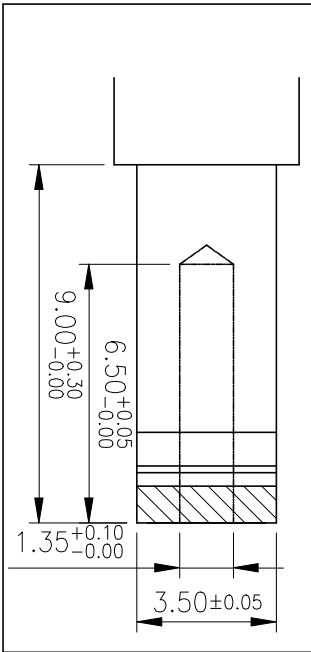
MAY 13. 2015

D.C.C. ISSUED



PLUG MATTING

MATE PLUG



RECOMMENDED PCB LAYOUT
 NOTE : TOLERANCE FOR PCB LAYOUT IS ± 0.05

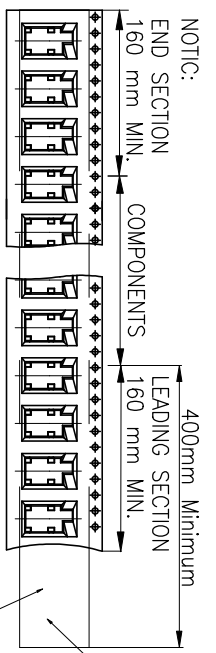
ITEM	DESCRIPTIONS	MATERIAL	FINISH	Q'TY	NOTE
①	M0F STOP PIN	SUS 304R-1/2H	N/A	1	
②	C1_GROUND SHELL	SUS 304R-3/4H	Au 1u"	1	
③	M2 CONTACT	BRASS C2680R-H	Au 1u"	1	
④	M1 SPRING	PBS C5210R-EH	Au 1u"	1	
⑤	M4 CENTER PIN	BRASS C3602	Au 1u"	1	
⑥	P1 HOUSING	PA9T GP2450NH		1	

APPROVALS	DATE	TITLE
DRN	2015/05/21	DC JACK
CHECKED	2015/05/21	
APPROVED	2015/05/21	

CUSTOMER

REV.	PART-NO.	ISSUED
△	PDR-13N201	2014/03/05
△	DCN-1309038	Jason
△	ECN-1503001	2015/04/21
		Jason

REV.	DCN. NO.	ISSUED
△	PDR-13N108 DCN-1309038	P014/03/05 Issort P015/04/21
△	ECN-1503001	Josson



NOTE :
REELING DIRECTION

1. MATERIAL :
REEL: PS
CARRIER: PS
COVER TAPE: PE

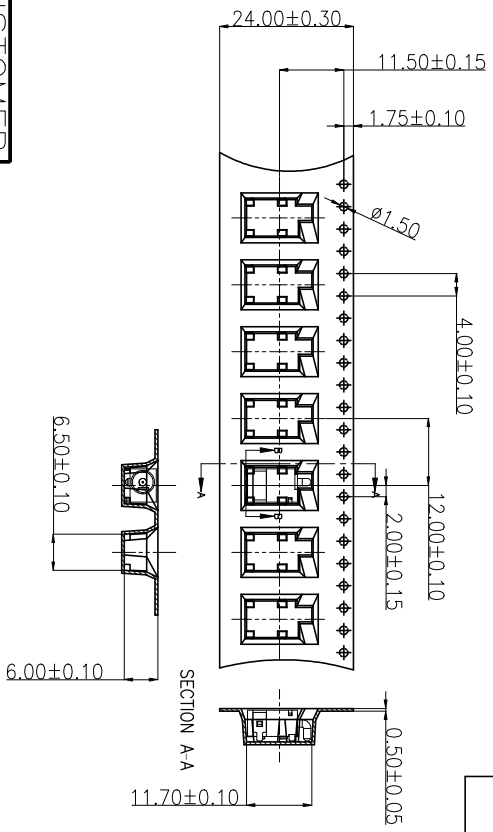
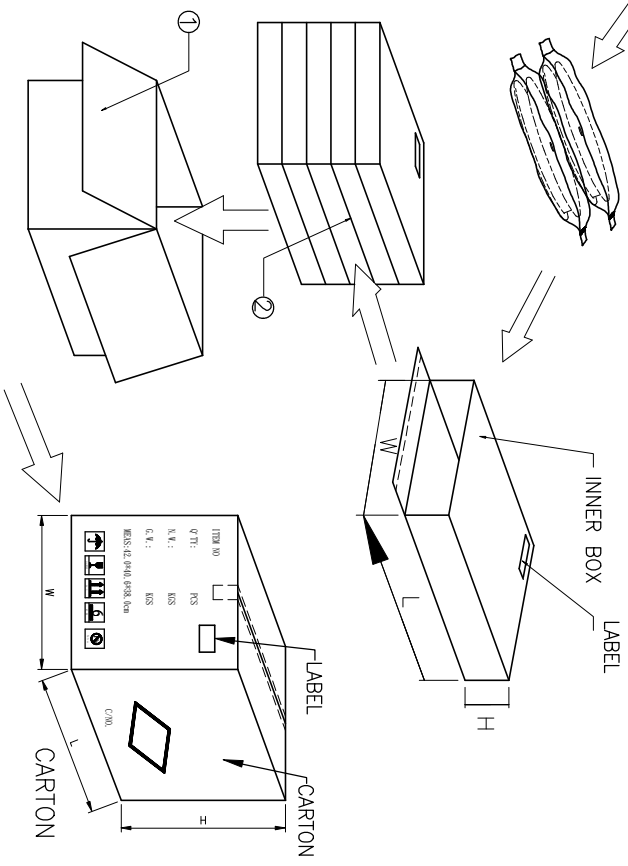
2. DIMENSION :
REEL SIZE:
DIA=350.0mm, W=24.0mm
INNER BOX:

- L=387mm, W=387mm H=67mm
CARTON:
L=420mm, W=406mm, H=380mm

3. QUANTITY:
900PCS/REEL
1 REEL/INNER BOX:1800PCS
5 INNER BOX/CARTON:9000PCS

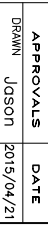
N.W.: Kg.
G.W.: Kg.

Simula Technology Inc.
 MAY 13. 2015
 D.C.C. ISSUED



ITEM	DESCRIPTIONS	MATERIAL	FINISH Q'TY	NOTE
⑦	DESICCANT		20	
⑥	PE BAG	PE	10	
⑤	CARRIER TAPE	PS	3.5	
④	COVER TAPE	PE	10	
③	REEL	PS	10	
②	INNER BOX	7+A	10	
①	CARTON	K=K	1	

UNLESS OTHERWISE SPECIFIED
DIMENSION ARE IN MILLIMETERS
TOLERANCE ARE :
FRACTION DECIMALS ANGLES



DC JACK

APPROVALS	DATE	TITLE
JOSON	2015/04/21	AJ233A-410X-422
CHECKED	APPROVED	SCALE
Andy	Jim	1:1
2015/04/21	2015/04/21	
CONFIDENTIAL	CONFIDENTIAL	

CUSTOMER