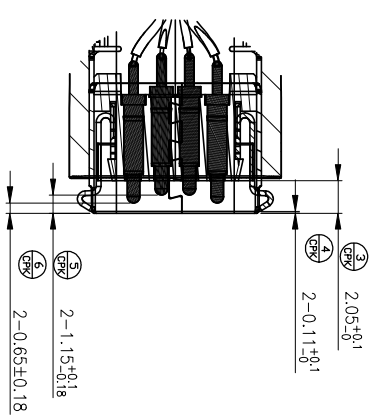
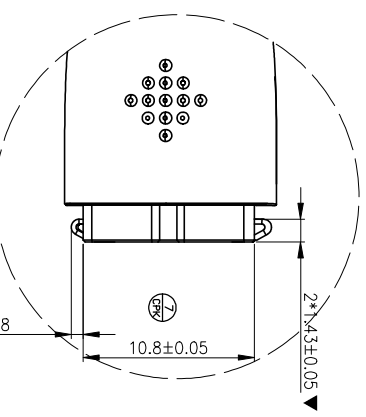
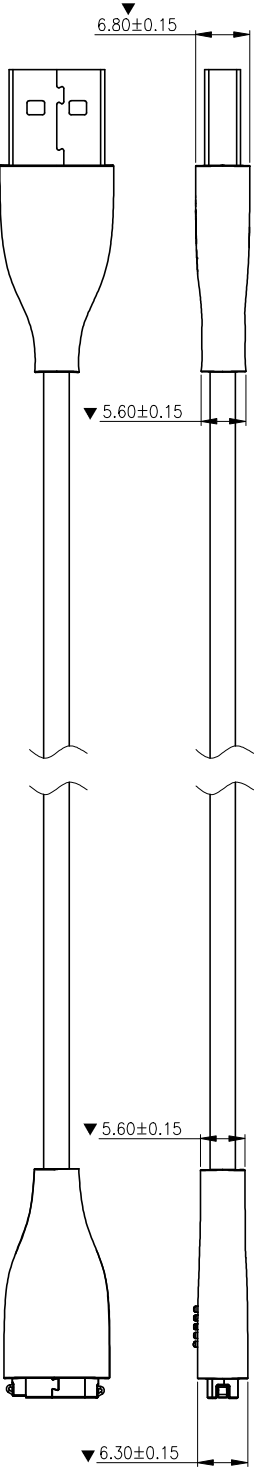
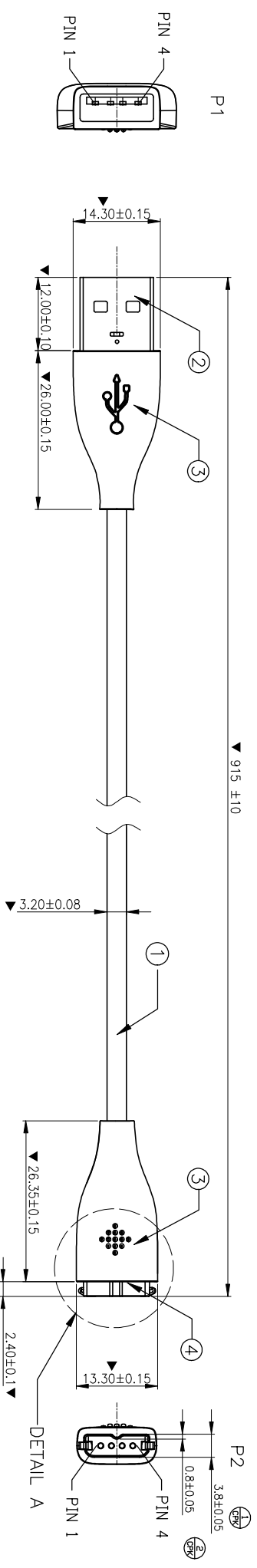
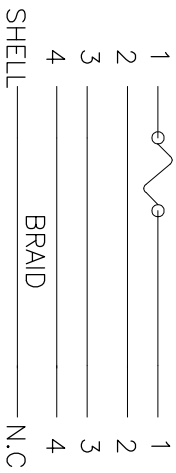


REV.	PART-NO.	ISSUED
▲	PDR-13N152 DCN-1411004	2014/11/07 Tim_hu



- Notes:
1. Electric test 100% Open,short and Mis-Wire Test.
 2. Insulation Resistance : 5MΩ Min.
 3. Conductor Resistance : 5Ω Max.
 4. Voltage test : 30V/DC 0.1s
 5. Critical Dimensions : ▼



Simula Technology Inc.
 NOV 14, 2014
D.C.C. ISSUED

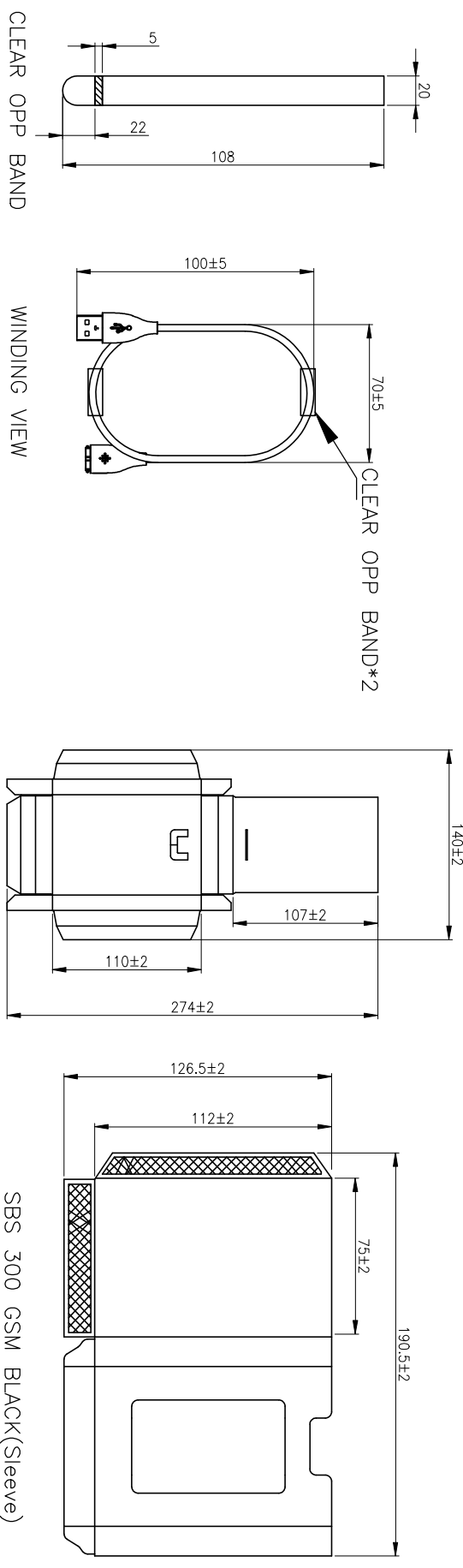
ITEM	DESCRIPTIONS	MATERIAL	FINISH	QTY	NOTE
③	FUSE	60R040	GOLD	1	
④	POGO PIN CONN	TPE 80 SHORE A EL3083	BLACK	1	
②	OVER MOLDING	NICKEL	1		
①	USB 2.0 CONNECTOR	28#*2C+32*2C OD3.2	BLACK	N/A	
①	CABLE				

UNLESS OTHERWISE SPECIFIED TOLERANCE ARE : IN MILLIMETERS FRACTION DECIMALS ANGLES		PART NO. CB841A-6000-10F	
X ± 0.2	X' ± 5°	DATE	TITLE
XX ± 0.15	X' ± 3°	2014/11/07	USB2.0-4PIN POGO CABLE
APPROVALS		DATE	SIZE / VERSION
DRM	Tim_hu	2014/11/07	A4
CHK	CK-Wong	2014/11/07	A
APP	Alex	2014/11/07	A4
CHECKED		DATE	SCALE
2014/11/07		2:1	UNIT
CONFIDENTIAL		mm	SHEET
			1/2

■ LEAD-FREE
 ■ HALOGEN-FREE
 3rd ANGLE PROJECTION

CUSTOMER 1 2 3 4 5 6 7 8

REV.	ECON. NO.	ISSUED
PDR-13N152	2014/11/07	Tim_hu
DCN-1411004		

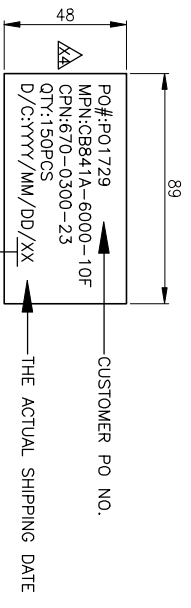


SBS 220 GSM BLACK(Tray)

SBS 300 GSM BLACK(Sleeve)

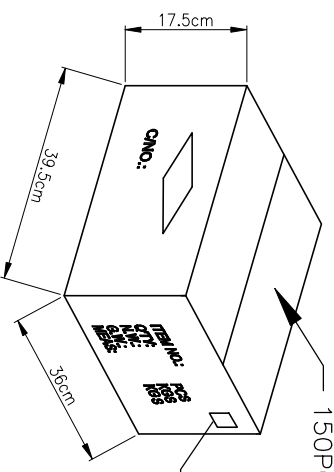
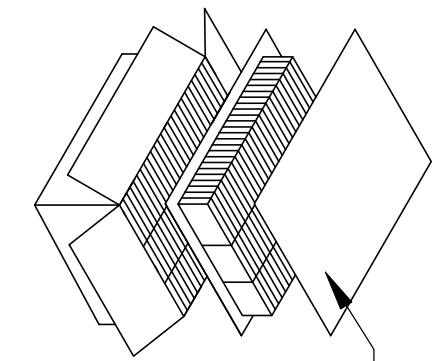
CLEAR OPP BAND

WINDING VIEW



CARTON LABEL

PAPER BOARD*3PCS



150PCS/CARTON

CARTON LABEL

NOTE :

1.MATERIAL :

- Tray: SBS 220 GSM BLACK
- Sleeve: SBS 300 GSM BLACK
- Clear OPP Band W:20*L:108*T:0.05mm
- Paper Board W:375*L:340mm B3B

2. QUANTITY:

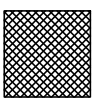
CARTON: 150PCS

3. WIGHT:

N.W.: 3.05 kg.
G.W.: 5.88 kg.

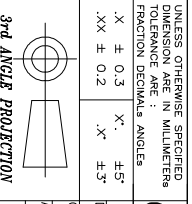
L=395mm, W=360mm, H=175mm K=K

Glue Outside



Simula Technology Inc.
NOV 14. 2014
D.C.C. ISSUED

- LEAD-FREE
- HALOGEN-FREE



UNLESS OTHERWISE SPECIFIED DIMENSIONS ARE IN MILLIMETERS FRACTION DECIMALS ANGLES	.X ± 0.3	.X ± 0.2	.X ± 0.3	.X ± 0.2
3rd ANGLE PROJECTION				

SIMULA Superior Technology Solution Partner	PART NO.	TITLE
	CB841A-6000-10F	CB841A PACKAGE
APPROVALS	DATE	SIZE / VERSION
DESIGN: Tim_hu	2014/11/07	A4
CHECKED: CK-Wang	2014/11/07	A
APPROVED: Alex	2014/11/07	
SCALE	UNIT	SHEET
	mm	2/2

CUSTOMER

F